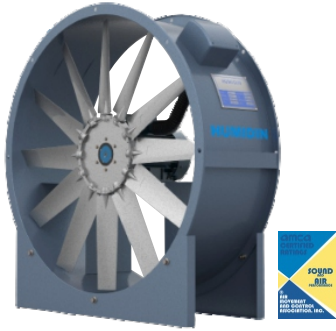


## AXIAL FLOW FANS



MEMBER

**Quality Speaks For Itself**



## TUBE AXIAL FLOW FAN

**TUBE AXIAL FLOW FAN** is a type of mechanical fan that moves air or gas along the axis of rotation. It is one of the most commonly used fans in various industrial, commercial, and residential applications due to its ability to efficiently move large volumes of air with relatively low resistance.



## FIRE RATED AXIAL FLOW FAN

### Temperature Endurance:

**FIRE-RATED** AXIAL FLOW FAN are designed to operate in environments with temperatures as high as **250°C to 400°C**

(Maximum operation **upto 2 hours**) depending on the applications. Common standards include the European standard (EN 12101-3)



## VANE AXIAL FLOW FAN

**VANE** are strategically positioned to guide the air moves in a specific direction, improve efficiency, and reduce turbulence.



## TUBE AXIAL FAN (ONE SIDE SILENCER)

A Tube Axial Fan with a one side silencer is an efficient air-moving device specifically designed for applications requiring high airflow rates with minimal pressure loss and reduced noise levels. These fans are constructed with an axial flow design, where air moves parallel to the shaft, offering a compact and streamlined solution for ventilation and exhaust systems.



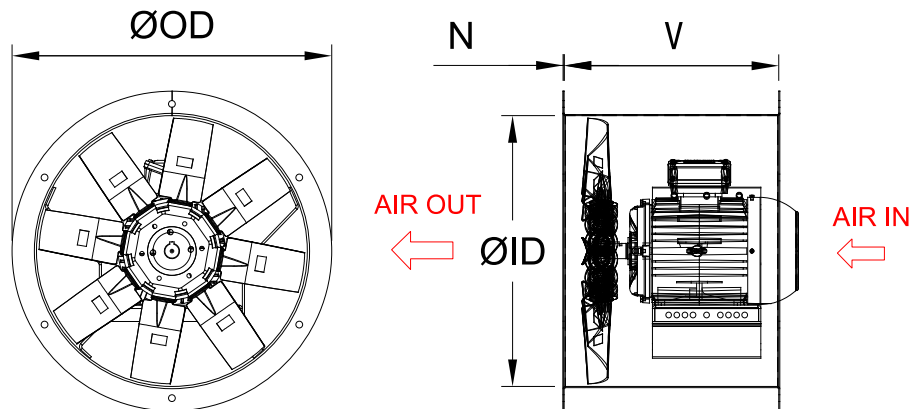
## TUBE AXIAL FAN (BOTH SIDE SILENCER)

A Tube Axial Fan with silencers on both sides is a high-performance air movement solution engineered for applications that demand efficient airflow along with maximum noise reduction. Designed to move air in a straight axial path, these fans are ideal for ducted ventilation systems where space efficiency, airflow capacity, and acoustic control are critical.

## Axial Flow Fan (OPERATION & MAINTENANCE MANUAL)



## DIMENSION TABLE

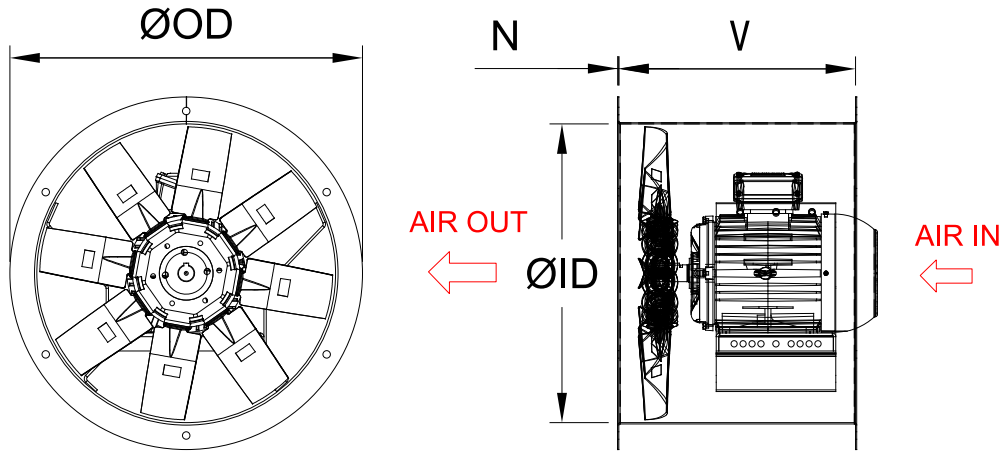


### TUBE/FIRE/VANE AXIAL FLOW FAN

ALL DIMENSIONS (IN MM)

AIR VOLUME (CFM)	STATIC PRESSURE (mmwg)	FAN TYPE	FAN DIA Ø ID	Outlet Vel. (m/s)	MOTOR (HP)	MOTOR POLE	MOTOR FRAME SIZE	dB@3M	Fan ØOD	Thickness of Casing ( N )	Length of Casing ( V )
1000	10	AXIAL	315	6.05	0.5	2	71	67	400	2	320
	15	AXIAL	315	6.05	0.5	2	71	67	400	2	320
	20	AXIAL	315	6.05	0.5	2	71	69	400	2	320
	25	AXIAL	315	6.05	0.5	2	71	69	400	2	320
	30	AXIAL	315	6.05	0.5	2	71	69	400	2	320
2000	35	AXIAL	315	6.05	0.75	2	71	74	400	2	320
	10	AXIAL	355	9.5	0.75	2	71	71	440	2	320
	15	AXIAL	355	9.5	0.75	2	71	71	440	2	320
	20	AXIAL	355	9.5	1	2	80	73	440	2	320
	25	AXIAL	355	9.54	1	2	80	71	440	2	320
3000	30	AXIAL	355	9.54	1	2	80	73	440	2	320
	35	AXIAL	355	9.54	1	2	80	73	440	2	320
	10	AXIAL	500	9.54	0.5	4	71	65	585	2	405
	15	AXIAL	500	9.3	0.75	4	80	59	585	2	405
	20	AXIAL	500	7.5	1	4	80	58	585	2	405
	25	AXIAL	500	7.84	1.5	2	80	74	585	2	405
	30	AXIAL	500	7.49	1.5	2	80	75	585	2	405
	35	AXIAL	500	7.18	1.5	2	80	75	585	2	405
	40	AXIAL	500	8.08	3	2	90L	82	585	2	405
	45	AXIAL	500	7.92	3	2	90L	83	585	2	405
	50	AXIAL	500	7.46	3	2	90L	79	585	2	405
	55	AXIAL	500	4.64	3	2	90L	54	585	2	405
	60	AXIAL	500	7.51	3	2	90L	84	585	2	405
	65	AXIAL	500	7.4	3	2	90L	84	585	2	405
	70	AXIAL	500	7.3	3	2	90L	85	585	2	405
75	AXIAL	500	7.2	3	2	90L	85	585	2	405	
80	AXIAL	500	7.3	5	2	100L	86	585	2	405	
4000	10	AXIAL	560	7.6	0.75	4	80	68	645	2	405
	15	AXIAL	560	7.6	0.75	4	80	68	645	2	405
	20	AXIAL	560	8.3	1.5	4	80	61	645	2	405
	25	AXIAL	560	9.23	3	2	90L	77	645	2	405
	30	AXIAL	560	8.8	3	2	90L	77	645	2	405
	35	AXIAL	560	8.44	3	2	90L	78	645	2	405
	40	AXIAL	560	8.11	3	2	90L	78	645	2	405
	45	AXIAL	560	7.82	3	2	90L	78	645	2	405
	50	AXIAL	560	7.56	3	2	90L	78	645	2	405
	55	AXIAL	560	7.32	3	2	90L	78	645	2	405
	60	AXIAL	560	8.05	5	2	100L	81	645	2	405
	65	AXIAL	560	7.8	5	2	100L	81	645	2	405
	70	AXIAL	560	7.6	5	2	100L	81	645	2	405
75	AXIAL	560	7.8	5	2	100L	82	645	2	405	
80	AXIAL	560	7.75	5	2	100L	83	645	2	405	

NOTE: ALL TECHNICAL & DIMENSIONS ARE ONLY FOR REFERENCE

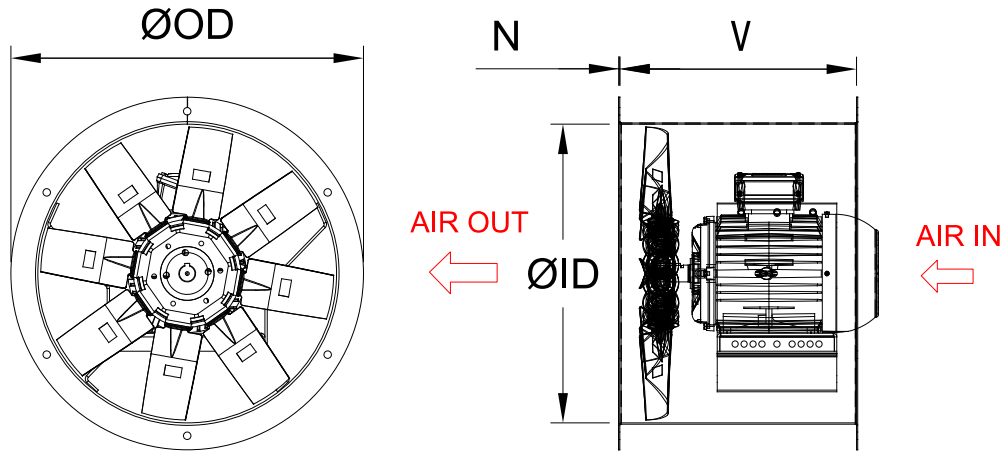


## TUBE/FIRE/VANE AXIAL FLOW FAN

ALL DIMENSIONS (IN MM)

AIR VOLUME (CFM)	STATIC PRESSURE (mmwg)	FAN TYPE	FAN DIA Ø ID	Outlet Vel. (m/s)	MOTOR (HP)	MOTOR POLE	MOTOR FRAME SIZE	dB@3M	Fan ØOD	Thickness of Casing ( N )	Length of Casing ( V )
5000	10	AXIAL	630	7.8	1	4	80	62	715	2	405
	15	AXIAL	630	7.8	1.5	4	80	65	715	2	405
	20	AXIAL	630	7.7	1.5	4	80	73	715	2	405
	25	AXIAL	630	7.62	3	4	100L	66	715	2	405
	30	AXIAL	630	7.19	3	4	100L	67	715	2	405
	35	AXIAL	630	7.79	5	2	100L	81	715	2	405
	45	AXIAL	630	7.74	5	2	100L	80	715	2	405
	50	AXIAL	630	7.75	5	2	100L	82	715	2	405
	55	AXIAL	630	7.48	5	2	100L	82	715	2	405
	60	AXIAL	630	7.73	7.5	2	132S	80	715	2	405
	65	AXIAL	630	7.6	7.5	2	132S	80	715	2	405
	70	AXIAL	630	7.8	7.5	2	132S	79	715	2	405
75	AXIAL	630	7.6	7.5	2	132S	79	715	2	405	
80	AXIAL	630	7.9	7.5	2	132S	82	715	2	405	
6000	10	AXIAL	630	9.1	1.5	4	80	64	715	2	405
	15	AXIAL	630	9.15	2	4	90L	66	715	2	405
	20	AXIAL	630	9.2	2	4	90L	66	715	2	405
	25	AXIAL	630	9.1	5	4	112M	68	715	2	405
	30	AXIAL	630	9.13	5	2	100L	73	715	2	405
	35	AXIAL	630	9.7	5	2	100L	81	715	2	405
	40	AXIAL	630	9.36	5	2	100L	82	715	2	405
	45	AXIAL	630	9.3	7.5	2	132S	79	715	2	405
	50	AXIAL	630	9.44	7.5	2	132S	80	715	2	405
	55	AXIAL	630	9.16	7.5	2	132S	80	715	2	405
	60	AXIAL	630	9.16	7.5	2	132S	81	715	2	405
	65	AXIAL	630	9.4	10	2	132S	80	715	2	405
70	AXIAL	630	9.15	10	2	132S	80	715	2	405	
75	AXIAL	630	9.13	10	2	132S	82	715	2	405	
80	AXIAL	630	9.2	10	2	132S	82	715	2	405	
8000	10	AXIAL	710	9.75	1.5	4	80	67	795	2	530
	15	AXIAL	710	9.65	3	4	100L	68	795	2	530
	20	AXIAL	710	9.9	3	4	100L	69	795	2	530
	25	AXIAL	710	9.77	5	4	112M	70	795	2	530
	30	AXIAL	710	9.86	5	4	112M	69	795	2	530
	35	AXIAL	710	9.43	5	4	112M	70	795	2	530
	40	AXIAL	710	10.04	7.5	2	132S	77	795	2	530
	45	AXIAL	710	9.74	7.5	2	132S	77	795	2	530
	50	AXIAL	710	9.47	7.5	2	132S	78	795	2	530
	55	AXIAL	710	10.8	7.5	2	132S	82	795	2	530
	60	AXIAL	710	10.5	7.5	2	132S	82	795	2	530
	65	AXIAL	710	10.2	7.5	2	132S	82	795	2	530
70	AXIAL	710	10	7.5	2	132S	82	795	2	530	
75	AXIAL	710	9.7	7.5	2	132S	82	795	2	530	
80	AXIAL	710	9.6	10	2	132S	86	795	2	530	

NOTE: ALL TECHNICAL & DIMENSIONS ARE ONLY FOR REFERENCE

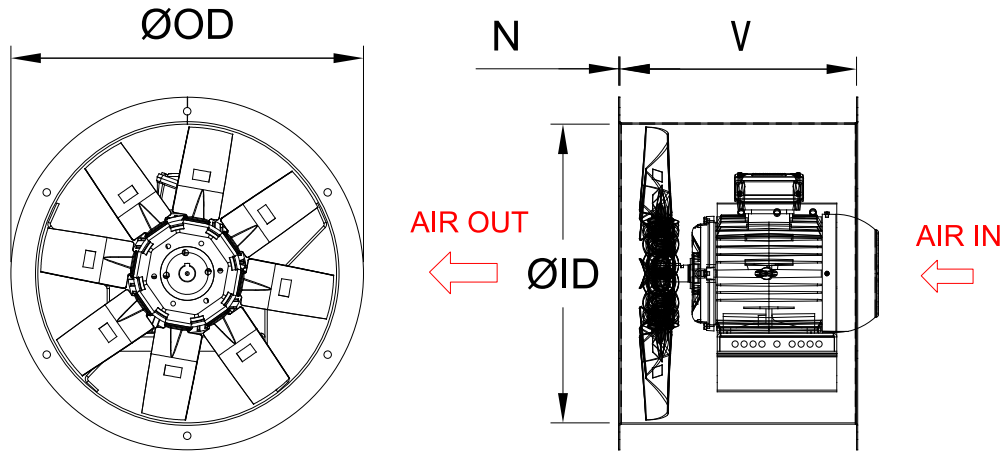


## TUBE/FIRE/VANE AXIAL FLOW FAN

ALL DIMENSIONS (IN MM)

AIR VOLUME (CFM)	STATIC PRESSURE (mmwg)	FAN TYPE	FAN DIA Ø ID	Outlet Vel. (m/s)	MOTOR (HP)	MOTOR POLE	MOTOR FRAME SIZE	dB@3M	Fan ØOD	Thickness of Casing ( N )	Length of Casing ( V )
9000	10	AXIAL	710	10.8	3	4	100L	68	795	2	530
	15	AXIAL	710	10.8	3	4	100L	70	795	2	530
	20	AXIAL	710	10.9	3	4	100L	70	795	2	530
	25	AXIAL	710	10.45	3	4	100L	70	795	2	530
	30	AXIAL	710	10.6	5	4	112M	73	795	2	530
	35	AXIAL	710	10.7	7.5	4	132S	71	795	2	530
	40	AXIAL	710	10.6	7.5	4	132S	77	795	2	530
	45	AXIAL	710	11.5	10	2	132S	84	795	2	530
	50	AXIAL	710	11.3	10	2	132S	84	795	2	530
	55	AXIAL	710	11.1	10	2	132S	85	795	2	530
	60	AXIAL	710	10.9	10	2	132S	85	795	2	530
	65	AXIAL	710	10.7	10	2	132S	81	795	2	530
70	AXIAL	710	10.8	15	2	160M	82	795	2	530	
75	AXIAL	710	11.7	15	2	160M	83	795	2	530	
80	AXIAL	710	11	15	2	160M	83	795	2	530	
10000	10	AXIAL	800	7.4	1.5	4	80	76	885	2	530
	15	AXIAL	800	9.4	3	4	100L	68	885	2	530
	20	AXIAL	800	9.8	3	4	100L	73	885	2	530
	25	AXIAL	800	9.5	3	4	100L	66	885	2	530
	30	AXIAL	800	9.4	5	4	112M	74	885	2	530
	35	AXIAL	800	9.4	5	4	112M	72	885	2	530
	40	AXIAL	800	9.5	7.5	4	132S	73	885	2	530
	45	AXIAL	800	9.6	7.5	4	132S	75	885	2	530
	50	AXIAL	800	9.7	7.5	4	132S	72	885	2	530
55	AXIAL	800	9.7	7.5	4	132S	72	885	2	530	
12000	10	AXIAL	900	9.15	3	4	100L	64	985	2	530
	15	AXIAL	900	8.9	3	4	100L	76	985	2	530
	20	AXIAL	900	8.9	3	4	100L	78	985	2	530
	25	AXIAL	900	9.08	5	4	112M	69	985	2	530
	30	AXIAL	900	9.04	5	4	112M	78	985	2	530
	35	AXIAL	900	9.08	7.5	4	132S	79	985	2	530
	40	AXIAL	900	9.1	7.5	4	132S	77	985	2	530
	45	AXIAL	900	9.2	7.5	4	132S	78	985	2	530
50	AXIAL	900	9.4	10	4	132M	82	985	2	530	
14000	10	AXIAL	900	10.4	5	4	112M	72	985	2	530
	15	AXIAL	900	10.5	5	4	112M	75	985	2	530
	20	AXIAL	900	10.5	5	4	112M	75	985	2	530
	25	AXIAL	900	10.4	5	4	112M	78	985	2	530
	30	AXIAL	900	10.6	7.5	4	132S	72	985	2	530
	35	AXIAL	900	10.5	7.5	4	132S	79	985	2	530
	40	AXIAL	900	10.6	10	4	132M	80	985	2	530
	45	AXIAL	900	10.8	10	4	132M	80	985	2	530
	50	AXIAL	900	10.6	10	4	132M	80	985	2	530
55	AXIAL	900	10.6	10	4	132M	80	985	2	530	

NOTE: ALL TECHNICAL & DIMENSIONS ARE ONLY FOR REFERENCE

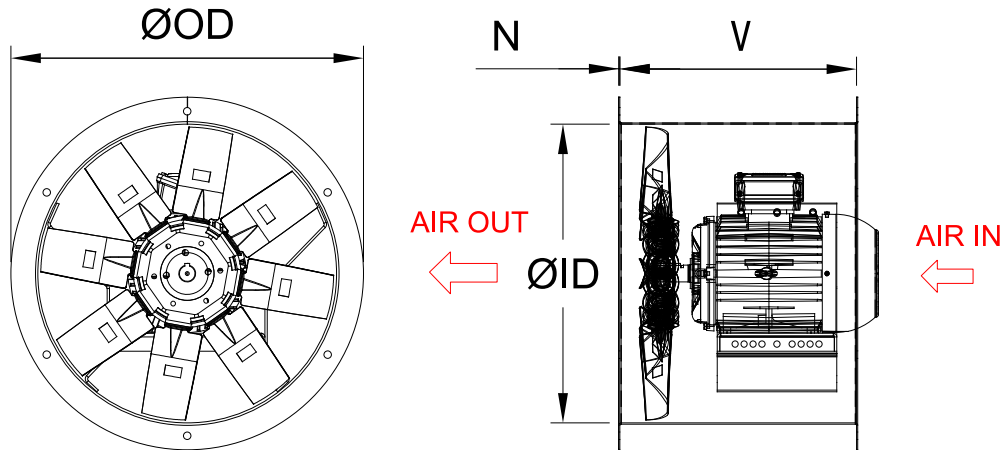


## TUBE/FIRE/VANE AXIAL FLOW FAN

ALL DIMENSIONS (IN MM)

AIR VOLUME (CFM)	STATIC PRESSURE (mmwg)	FAN TYPE	FAN DIA Ø ID	Outlet Vel. (m/s)	MOTOR (HP)	MOTOR POLE	MOTOR FRAME SIZE	dB@3M	Fan ØOD	Thickness of Casing ( N )	Length of Casing ( V )
15000	10	AXIAL	1000	9.15	5	4	112M	72	1085	2.5	530
	15	AXIAL	1000	9.16	5	4	112M	78	1085	2.5	530
	20	AXIAL	1000	9.5	5	4	112M	75	1085	2.5	530
	25	AXIAL	1000	9.2	5	4	112M	78	1085	2.5	530
	30	AXIAL	1000	9.2	7.5	4	132S	74	1085	2.5	530
	35	AXIAL	1000	9	7.5	4	132S	81	1085	2.5	530
	40	AXIAL	1000	9.3	10	4	132M	83	1085	2.5	530
	45	AXIAL	1000	9	10	4	132M	83	1085	2.5	530
	50	AXIAL	1000	9.3	15	4	160M	83	1085	2.5	530
	55	AXIAL	1000	9	15	4	160M	83	1085	2.5	530
	60	AXIAL	1000	9	15	4	160M	86	1085	2.5	530
	65	AXIAL	1000	9	15	4	160M	86	1085	2.5	530
70	AXIAL	1000	9	15	4	160M	87	1085	2.5	530	
75	AXIAL	1000	9	15	4	160M	82	1085	2.5	530	
80	AXIAL	1000	9.4	20	4	160L	83	1085	2.5	530	
16000	10	AXIAL	1000	9.6	3	6	112M	66	1085	2.5	530
	15	AXIAL	1000	9.9	5	4	112M	79	1085	2.5	530
	20	AXIAL	1000	9.7	5	4	112M	72	1085	2.5	530
	25	AXIAL	1000	9.6	5	4	112M	81	1085	2.5	530
	30	AXIAL	1000	9.7	7.5	4	132S	80	1085	2.5	530
	35	AXIAL	1000	9.6	7.5	4	132S	84	1085	2.5	530
	40	AXIAL	1000	10.1	10	4	132M	81	1085	2.5	530
	45	AXIAL	1000	9.88	15	4	160M	83	1085	2.5	530
	50	AXIAL	1000	9.64	15	4	160M	83	1085	2.5	530
	55	AXIAL	1000	9.9	15	4	160M	83	1085	2.5	530
	60	AXIAL	1000	9.7	15	4	160M	86	1085	2.5	530
	65	AXIAL	1000	10.1	15	4	160M	82	1085	2.5	530
70	AXIAL	1000	9.8	15	4	160M	82	1085	2.5	530	
75	AXIAL	1000	10	20	4	160L	84	1085	2.5	530	
80	AXIAL	1000	9.7	20	4	160L	79	1085	2.5	530	
18000	10	AXIAL	1000	10.8	5	6	132S	65	1085	2.5	530
	15	AXIAL	1000	10.5	7.5	6	132M	70	1085	2.5	530
	20	AXIAL	1000	10.8	5	4	112M	73	1085	2.5	530
	25	AXIAL	1000	10.9	7.5	4	132S	83	1085	2.5	530
	30	AXIAL	1000	10.9	7.5	4	132S	77	1085	2.5	530
	35	AXIAL	1000	10.9	7.5	4	132S	78	1085	2.5	530
	40	AXIAL	1000	10.9	10	4	132M	72	1085	2.5	530
	45	AXIAL	1000	10.8	10	4	132M	84	1085	2.5	530
	55	AXIAL	1000	10.8	15	4	160M	85	1085	2.5	530
	60	AXIAL	1000	11.2	15	4	160M	82	1085	2.5	530
	65	AXIAL	1000	10.95	15	4	160M	82	1085	2.5	530
	70	AXIAL	1000	10.8	15	4	160M	86	1085	2.5	530
75	AXIAL	1000	11	20	4	160L	80	1085	2.5	530	
80	AXIAL	1000	10.9	20	4	160L	80	1085	2.5	530	

NOTE: ALL TECHNICAL & DIMENSIONS ARE ONLY FOR REFERENCE

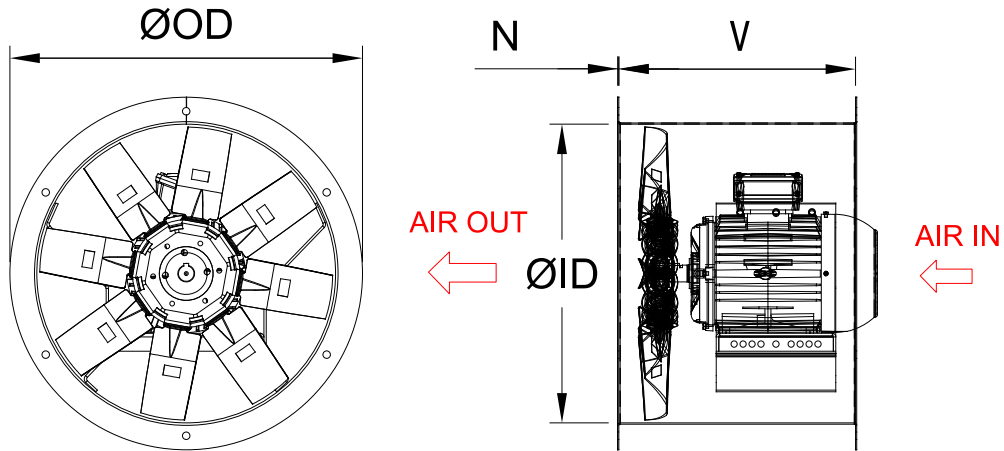


## TUBE/FIRE/VANE AXIAL FLOW FAN

ALL DIMENSIONS (IN MM)

AIR VOLUME (CFM)	STATIC PRESSURE (mmwg)	FAN TYPE	FAN DIA Ø ID	Outlet Vel. (m/s)	MOTOR (HP)	MOTOR POLE	MOTOR FRAME SIZE	dB@3M	Fan ØOD	Thickness of Casing ( N )	Length of Casing ( V )
20000	10	AXIAL	1120	9.6	3	6	112M	72	1205	2.5	655
	15	AXIAL	1120	9.8	7.5	4	132S	83	1205	2.5	655
	20	AXIAL	1120	10	7.5	4	132S	79	1205	2.5	655
	25	AXIAL	1120	9.9	7.5	4	132S	81	1205	2.5	655
	30	AXIAL	1120	9.7	10	4	132M	86	1205	2.5	655
	35	AXIAL	1120	9.8	10	4	132M	80	1205	2.5	655
	40	AXIAL	1120	10	10	4	132M	89	1205	2.5	655
	45	AXIAL	1120	9.8	15	4	160M	87	1205	2.5	655
	50	AXIAL	1120	9.8	15	4	160M	78	1205	2.5	655
	55	AXIAL	1120	9.7	15	4	160M	87	1205	2.5	655
	60	AXIAL	1120	10	15	4	160M	88	1205	2.5	655
	65	AXIAL	1120	9.7	20	4	160L	89	1205	2.5	655
70	AXIAL	1120	9.7	20	4	160L	87	1205	2.5	655	
75	AXIAL	1120	9.6	20	4	160L	90	1205	2.5	655	
80	AXIAL	1120	9.6	20	4	160L	90	1205	2.5	655	
24000	10	AXIAL	1250	9.4	5	6	132S	75	1355	3	655
	15	AXIAL	1250	9.2	5	6	132S	75	1355	3	655
	20	AXIAL	1250	9.3	7.5	6	132M	72	1355	3	655
	25	AXIAL	1250	9.3	7.5	6	132M	85	1355	3	655
	30	AXIAL	1250	9.5	10	6	160M	84	1355	3	655
	35	AXIAL	1250	9.4	10	6	160M	86	1355	3	655
	40	AXIAL	1250	9.4	15	6	160L	86	1355	3	655
	45	AXIAL	1250	9.3	15	6	160L	85	1355	3	655
	50	AXIAL	1250	9.4	15	6	160L	85	1355	3	655
	55	AXIAL	1250	9.6	20	6	180L	86	1355	3	655
	60	AXIAL	1250	9.3	20	6	180L	86	1355	3	655
	70	AXIAL	1250	9.9	25	4	180M	92	1355	3	655
75	AXIAL	1250	9.6	25	4	180M	92	1355	3	655	
80	AXIAL	1250	9.4	25	4	180M	92	1355	3	655	
27000	10	AXIAL	1250	10.4	7.5	6	132M	78	1355	3	655
	15	AXIAL	1250	10.4	7.5	6	132M	71	1355	3	655
	20	AXIAL	1250	10.6	7.5	6	132M	75	1355	3	655
	25	AXIAL	1250	10.4	7.5	6	132M	85	1355	3	655
	30	AXIAL	1250	10.4	10	6	160M	83	1355	3	655
	35	AXIAL	1250	10.4	10	6	160M	86	1355	3	655
	40	AXIAL	1250	10.5	15	6	160L	81	1355	3	655
	45	AXIAL	1250	10.6	15	6	160L	82	1355	3	655
	50	AXIAL	1250	10.5	15	6	160L	83	1355	3	655
	55	AXIAL	1250	10.7	20	6	180L	84	1355	3	655
	60	AXIAL	1250	10.4	20	6	180L	84	1355	3	655
	65	AXIAL	1250	11	25	4	180M	92	1355	3	655
70	AXIAL	1250	10.8	25	4	180M	92	1355	3	655	
75	AXIAL	1250	10.5	25	4	180M	92	1355	3	655	
80	AXIAL	1250	10.9	30	4	180L	91	1355	3	655	

NOTE: ALL TECHNICAL & DIMENSIONS ARE ONLY FOR REFERENCE

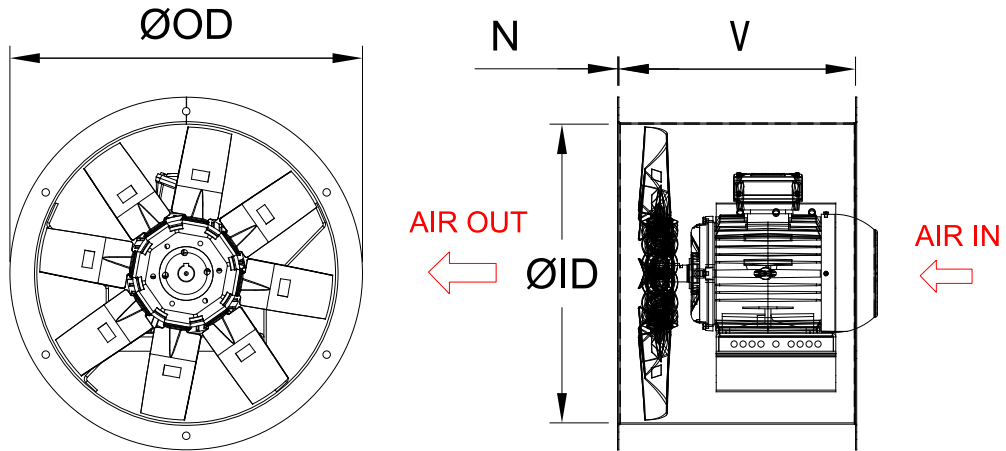


### TUBE/FIRE/VANE AXIAL FLOW FAN

ALL DIMENSIONS (IN MM)

AIR VOLUME (CFM)	STATIC PRESSURE	FAN TYPE	FAN DIA Ø ID	Outlet Vel. (m/s)	MOTOR (HP)	MOTOR POLE	MOTOR FRAME SIZE	dB@3M	Fan ØOD	Thickness of Casing ( N )	Length of Casing ( V )
30000	10	AXIAL	1400	9.8	5	6	132S	75	1505	3	655
	15	AXIAL	1400	9.3	7.5	6	132M	79	1505	3	655
	20	AXIAL	1400	9.5	10	6	160M	74	1505	3	655
	25	AXIAL	1400	9.6	10	6	160M	84	1505	3	655
	30	AXIAL	1400	9.3	10	6	160M	84	1505	3	655
	35	AXIAL	1400	9.3	15	6	160L	84	1505	3	655
	40	AXIAL	1400	9.6	15	6	160L	86	1505	3	655
	45	AXIAL	1400	9.5	15	6	160L	80	1505	3	655
	50	AXIAL	1400	9.7	20	6	180L	88	1505	3	655
	55	AXIAL	1400	9.3	20	6	180L	88	1505	3	655
	60	AXIAL	1400	9.5	25	6	200L	89	1505	3	655
	65	AXIAL	1400	9.3	25	4	180M	92	1505	3	655
	70	AXIAL	1400	9.5	25	4	180M	92	1505	3	655
75	AXIAL	1400	9.4	25	4	180M	92	1505	3	655	
35000	10	AXIAL	1400	10.8	7.5	6	132M	79	1505	3	655
	15	AXIAL	1400	10.7	10	6	160M	80	1505	3	655
	20	AXIAL	1400	10.8	10	6	160M	83	1505	3	655
	25	AXIAL	1400	10.6	10	6	160M	78	1505	3	655
	30	AXIAL	1400	11	15	6	160L	82	1505	3	655
	35	AXIAL	1400	11	15	6	160L	86	1505	3	655
	40	AXIAL	1400	10.9	15	6	160L	87	1505	3	655
	45	AXIAL	1400	10.9	20	6	180L	87	1505	3	655
	50	AXIAL	1400	10.8	20	6	180L	87	1505	3	655
	55	AXIAL	1400	11.6	25	6	180L	80	1505	3	655
	60	AXIAL	1400	9.5	25	6	180L	89	1505	3	655
	65	AXIAL	1400	10.9	25	4	180M	84	1505	3	655
	70	AXIAL	1400	11.3	30	4	180L	86	1505	3	655
75	AXIAL	1400	11.5	40	4	200L	94	1505	3	655	
80	AXIAL	1400	11.2	40	4	200L	94	1505	3	655	
40000	10	AXIAL	1400	12.6	7.5	6	160M	73	1505	3	655
	15	AXIAL	1400	12.4	15	4	160M	87	1505	3	655
	20	AXIAL	1400	12.3	10	6	160M	77	1505	3	655
	25	AXIAL	1400	12.3	10	6	160M	82	1505	3	655
	30	AXIAL	1400	12.5	15	6	160L	83	1505	3	655
	35	AXIAL	1400	12.5	20	6	180L	87	1505	3	655
	40	AXIAL	1400	12.3	20	6	180L	87	1505	3	655
	45	AXIAL	1400	12.3	20	6	180L	87	1505	3	655
	50	AXIAL	1400	12.8	30	6	200L	86	1505	3	655
	55	AXIAL	1400	12.4	30	6	200L	86	1505	3	655
	60	AXIAL	1400	12.8	30	6	200L	90	1505	3	655
	65	AXIAL	1400	12.5	30	6	200L	90	1505	3	655
	70	AXIAL	1400	12.8	40	4	200L	94	1505	3	655
75	AXIAL	1400	12.5	40	4	200L	94	1505	3	655	
80	AXIAL	1400	12.2	40	4	200L	94	1505	3	655	

NOTE: ALL TECHNICAL & DIMENSIONS ARE ONLY FOR REFERENCE

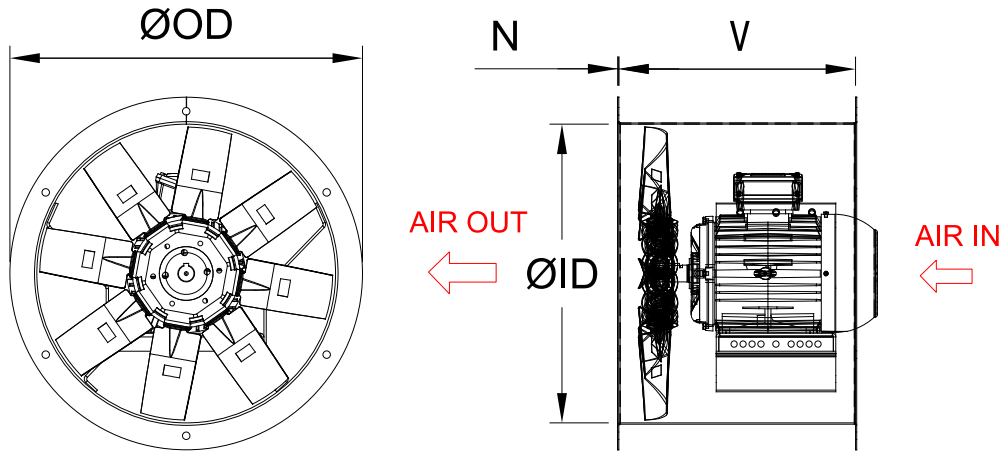


## TUBE/FIRE/VANE AXIAL FLOW FAN

ALL DIMENSIONS (IN MM)

AIR VOLUME (CFM)	STATIC PRESSURE	FAN TYPE	FAN DIA Ø ID	Outlet Vel. (m/s)	MOTOR (HP)	MOTOR POLE	MOTOR FRAME SIZE	dB@3M	Fan ØOD	Thickness of Casing ( N )	Length of Casing ( V )
45000	10	AXIAL	1400	13.9	10	6	160M	82	1505	3	655
	15	AXIAL	1400	14	15	6	160L	81	1505	3	655
	20	AXIAL	1400	13.8	15	6	160L	85	1505	3	655
	25	AXIAL	1400	14	15	6	160L	82	1505	3	655
	30	AXIAL	1400	13.9	20	6	180L	86	1505	3	655
	35	AXIAL	1400	13.9	20	6	180L	83	1505	3	655
	45	AXIAL	1400	13.8	30	6	200L	90	1505	3	655
	50	AXIAL	1400	14	30	6	200L	84	1505	3	655
	55	AXIAL	1400	14	30	6	200L	84	1505	3	655
	60	AXIAL	1400	13.8	30	6	200L	84	1505	3	655
	65	AXIAL	1400	13.6	40	4	200L	93	1505	3	655
	70	AXIAL	1400	14.2	50	4	225S	93	1505	3	655
75	AXIAL	1400	14	50	4	225S	93	1505	3	655	
80	AXIAL	1400	13.8	50	4	225S	93	1505	3	655	
50000	10	AXIAL	1600	12.2	15	6	160L	78	1705	3	655
	15	AXIAL	1600	12.5	15	6	160L	85	1705	3	655
	20	AXIAL	1600	11.9	15	6	160L	79	1705	3	655
	25	AXIAL	1600	11.8	20	6	180L	83	1705	3	655
	30	AXIAL	1600	11.8	30	6	200L	84	1705	3	655
	35	AXIAL	1600	12.6	30	6	200L	89	1705	3	655
	40	AXIAL	1600	12.2	30	6	200L	89	1705	3	655
	45	AXIAL	1600	11.75	30	6	200L	89	1705	3	655
	50	AXIAL	1600	12.5	40	6	225M	89	1705	3	655
	55	AXIAL	1600	12	40	6	225M	90	1705	3	655
	60	AXIAL	1600	11.8	40	6	225M	90	1705	3	655
	65	AXIAL	1600	12.2	40	6	225M	89	1705	3	655
70	AXIAL	1600	11.7	40	6	225M	91	1705	3	655	
55000	10	AXIAL	1600	13	15	6	160L	82	1705	3	655
	15	AXIAL	1600	13.1	15	6	160L	79	1705	3	655
	25	AXIAL	1600	13	20	6	180L	83	1705	3	655
	30	AXIAL	1600	13.4	30	6	200L	86	1705	3	655
	35	AXIAL	1600	13.2	30	6	200L	88	1705	3	655
	40	AXIAL	1600	13.3	30	6	200L	90	1705	3	655
	45	AXIAL	1600	13	30	6	200L	90	1705	3	655
	50	AXIAL	1600	13.2	40	6	225M	87	1705	3	655
	55	AXIAL	1600	13.5	40	6	225M	89	1705	3	655
	60	AXIAL	1600	13.2	40	6	225M	89	1705	3	655
	65	AXIAL	1600	13.1	40	6	225M	90	1705	3	655
	70	AXIAL	1600	13	50	6	250M	90	1705	3	655

NOTE: ALL TECHNICAL & DIMENSIONS ARE ONLY FOR REFERENCE



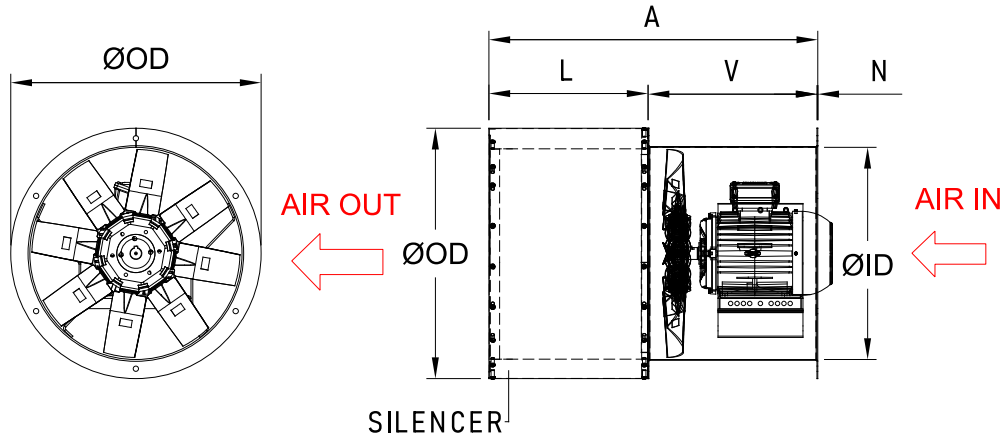
### TUBE/FIRE/VANE AXIAL FLOW FAN

ALL DIMENSIONS (IN MM)

AIR VOLUME (CFM)	STATIC PRESSURE	FAN TYPE	FAN DIA Ø ID	Outlet Vel. (m/s)	MOTOR (HP)	MOTOR POLE	MOTOR FRAME SIZE	dB@3M	Fan ØOD	Thickness of Casing ( N )	Length of Casing ( V )
60000	10	AXIAL	1600	14.3	15	6	160L	77	1705	3	655
	15	AXIAL	1600	14.2	20	6	160L	82	1705	3	655
	20	AXIAL	1600	14.2	20	6	180L	82	1705	3	655
	25	AXIAL	1600	14.6	20	6	180L	87	1705	3	655
	30	AXIAL	1600	14.2	30	6	200L	88	1705	3	655
	35	AXIAL	1600	14.6	30	6	200L	88	1705	3	655
	40	AXIAL	1600	14.3	40	6	225M	88	1705	3	655
	45	AXIAL	1600	14.3	40	6	225M	87	1705	3	655
	50	AXIAL	1600	14.2	40	6	225M	88	1705	3	655
	55	AXIAL	1600	14.8	50	6	250M	89	1705	3	655
	60	AXIAL	1600	14.5	50	6	250M	90	1705	3	655
65	AXIAL	1600	14.2	50	6	250M	90	1705	3	655	
70	AXIAL	1600	14.7	60	6	280S	92	1705	3	655	

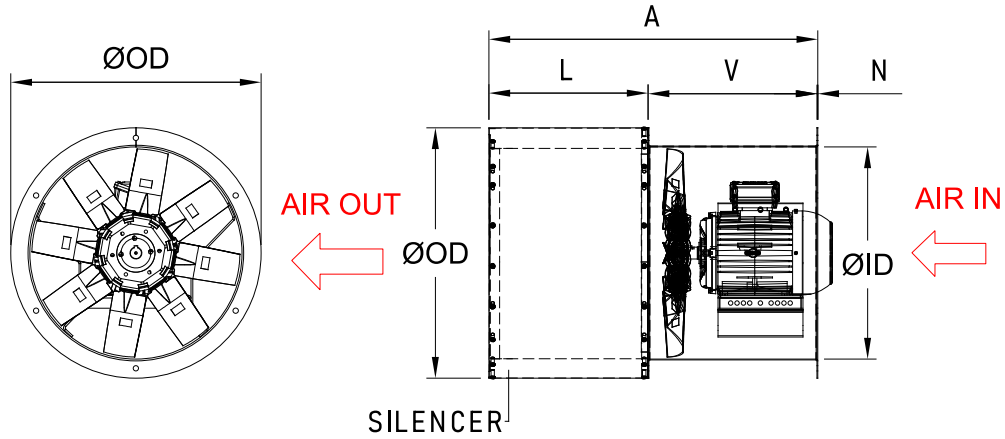
NOTE: ALL TECHNICAL & DIMENSIONS ARE ONLY FOR REFERENCE

## DIMENSION TABLE



TUBE/FIRE/VANE WITH ONE SIDE SILENCER																
ALL DIMENSIONS (IN MM)																
AIR VOLUME (CFM)	STATIC PRESSURE (mmwg)	FAN TYPE	FAN DIA Ø ID	Outlet Vel. (m/s)	MOTOR (HP)	MOTOR POLE	MOTOR FRAME SIZE	dB@3M	dB@3M AFTER ONE SIDE SILENCER	Fan ØOD	Thickness of Casing ( N )	Length of Casing ( V )	Length of Silencer (L)	Silencer ØOD	Total length with one side silencer (A)	Insulation of Silencer Thickness
1000	10	AXIAL	315	6.05	0.5	2	71	67	58	400	2	320	300	400	620	42.5
	15	AXIAL	315	6.05	0.5	2	71	67	58	400	2	320	300	400	620	42.5
	20	AXIAL	315	6.05	0.5	2	71	69	60	400	2	320	300	400	620	42.5
	25	AXIAL	315	6.05	0.5	2	71	69	60	400	2	320	300	400	620	42.5
	30	AXIAL	315	6.05	0.5	2	71	69	60	400	2	320	300	400	620	42.5
2000	35	AXIAL	315	6.05	0.75	2	71	74	65	400	2	320	300	400	620	42.5
	10	AXIAL	355	9.5	0.75	2	71	71	62	440	2	320	300	440	620	42.5
	15	AXIAL	355	9.5	0.75	2	71	71	62	440	2	320	300	440	620	42.5
	20	AXIAL	355	9.5	1	2	80	73	64	440	2	320	300	440	620	42.5
	25	AXIAL	355	9.54	1	2	80	71	62	440	2	320	300	440	620	42.5
3000	30	AXIAL	355	9.54	1	2	80	73	64	440	2	320	300	440	620	42.5
	35	AXIAL	355	9.54	1	2	80	73	64	440	2	320	300	440	620	42.5
	10	AXIAL	500	9.54	0.5	4	71	65	56	585	2	405	500	585	905	42.5
	15	AXIAL	500	9.3	0.75	4	80	59	50	585	2	405	500	585	905	42.5
	20	AXIAL	500	7.5	1	4	80	58	49	585	2	405	500	585	905	42.5
	25	AXIAL	500	7.84	1.5	2	80	74	65	585	2	405	500	585	905	42.5
	30	AXIAL	500	7.49	1.5	2	80	75	66	585	2	405	500	585	905	42.5
	35	AXIAL	500	7.18	1.5	2	80	75	66	585	2	405	500	585	905	42.5
	40	AXIAL	500	8.08	3	2	90L	82	73	585	2	405	500	585	905	42.5
	45	AXIAL	500	7.92	3	2	90L	83	74	585	2	405	500	585	905	42.5
	50	AXIAL	500	7.46	3	2	90L	79	70	585	2	405	500	585	905	42.5
	60	AXIAL	500	7.51	5	2	100L	84	75	585	2	405	500	585	905	42.5
	65	AXIAL	500	7.4	3	2	90L	84	75	585	2	405	500	585	905	42.5
	70	AXIAL	500	7.3	3	2	90L	85	76	585	2	405	500	585	905	42.5
	75	AXIAL	500	7.2	3	2	90L	85	76	585	2	405	500	585	905	42.5
80	AXIAL	500	7.3	5	2	100L	86	77	585	2	405	500	585	905	42.5	
4000	10	AXIAL	560	7.6	0.75	4	80	68	59	645	2	405	500	645	905	42.5
	15	AXIAL	560	7.6	0.75	4	80	68	59	645	2	405	500	645	905	42.5
	20	AXIAL	560	8.3	1.5	4	80	61	52	645	2	405	500	645	905	42.5
	40	AXIAL	560	8.11	3	2	90L	78	69	645	2	405	500	645	905	42.5
	45	AXIAL	560	7.82	3	2	90L	78	69	645	2	405	500	645	905	42.5
	50	AXIAL	560	7.56	3	2	90L	78	69	645	2	405	500	645	905	42.5
	55	AXIAL	560	7.32	3	2	90L	78	69	645	2	405	500	645	905	42.5
	60	AXIAL	560	8.05	5	2	100L	81	72	645	2	405	500	645	905	42.5
	65	AXIAL	560	7.8	5	2	100L	81	72	645	2	405	500	645	905	42.5
	70	AXIAL	560	7.6	5	2	100L	81	72	645	2	405	500	645	905	42.5
	75	AXIAL	560	7.8	5	2	100L	82	73	645	2	405	500	645	905	42.5
	80	AXIAL	560	7.75	5	2	100L	83	74	645	2	405	500	645	905	42.5
	10	AXIAL	630	7.8	1	4	80	62	53	715	2	405	500	715	905	42.5
	15	AXIAL	630	7.8	1.5	4	80	65	56	715	2	405	500	715	905	42.5
	20	AXIAL	630	7.7	1.5	4	80	73	64	715	2	405	500	715	905	42.5
5000	25	AXIAL	630	7.62	3	4	100L	66	57	715	2	405	500	715	905	42.5
	30	AXIAL	630	7.19	3	4	100L	67	58	715	2	405	500	715	905	42.5
	35	AXIAL	630	7.79	5	2	100L	81	72	715	2	405	500	715	905	42.5
	45	AXIAL	630	7.74	5	2	100L	80	71	715	2	405	500	715	905	42.5
	50	AXIAL	630	7.75	5	2	100L	82	73	715	2	405	500	715	905	42.5
	55	AXIAL	630	7.48	5	2	100L	82	73	715	2	405	500	715	905	42.5
	60	AXIAL	630	7.73	7.5	2	132S	80	71	715	2	405	500	715	905	42.5
	65	AXIAL	630	7.6	7.5	2	132S	80	71	715	2	405	500	715	905	42.5
	70	AXIAL	630	7.8	7.5	2	132S	79	70	715	2	405	500	715	905	42.5
	75	AXIAL	630	7.6	7.5	2	132S	79	70	715	2	405	500	715	905	42.5
	80	AXIAL	630	7.9	7.5	2	132S	82	73	715	2	405	500	715	905	42.5
	10	AXIAL	630	9.1	1.5	4	80	64	55	715	2	405	500	715	905	42.5
	15	AXIAL	630	9.15	2	4	90L	66	57	715	2	405	500	715	905	42.5
	20	AXIAL	630	9.2	2	4	90L	66	57	715	2	405	500	715	905	42.5
	25	AXIAL	630	9.1	5	4	112M	68	59	715	2	405	500	715	905	42.5
6000	30	AXIAL	630	9.13	5	2	100L	73	64	715	2	405	500	715	905	42.5
	35	AXIAL	630	9.7	5	2	100L	81	72	715	2	405	500	715	905	42.5
	40	AXIAL	630	9.36	5	2	100L	82	73	715	2	405	500	715	905	42.5
	45	AXIAL	630	9.3	7.5	2	132S	79	70	715	2	405	500	715	905	42.5
	50	AXIAL	630	9.44	7.5	2	132S	80	71	715	2	405	500	715	905	42.5
	55	AXIAL	630	9.16	7.5	2	132S	80	71	715	2	405	500	715	905	42.5
	60	AXIAL	630	9.16	7.5	2	132S	81	72	715	2	405	500	715	905	42.5
	65	AXIAL	630	9.4	10	2	132S	80	71	715	2	405	500	715	905	42.5
	70	AXIAL	630	9.15	10	2	132S	80	71	715	2	405	500	715	905	42.5
	75	AXIAL	630	9.13	10	2	132S	82	73	715	2	405	500	715	905	42.5
	80	AXIAL	630	9.2	10	2	132S	82	73	715	2	405	500	715	905	42.5

NOTE: ALL TECHNICAL & DIMENSIONS ARE ONLY FOR REFERENCE

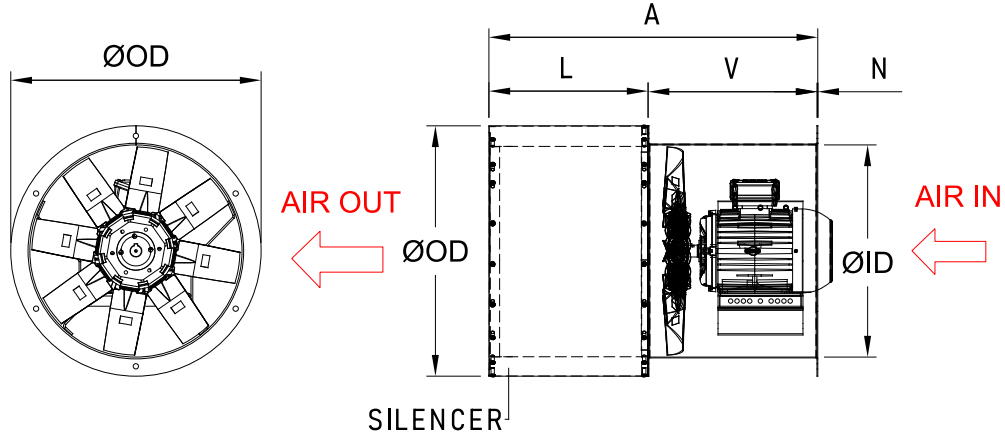


### TUBE/FIRE/VANE WITH ONE SIDE SILENCER

ALL DIMENSIONS (IN MM)

AIR VOLUME (CFM)	STATIC PRESSURE (mmwg)	FAN TYPE	FAN DIA Ø ID	Outlet Vel. (m/s)	MOTOR (HP)	MOTOR POLE	MOTOR FRAME SIZE	dB@3M	dB@3M AFTER ONE SIDE SILENCER	Fan ØOD	Thickness of Casing ( N )	Length of Casing ( V )	Length of Silencer ( L )	Silencer ØOD	Total length with one side silencer ( A )	Insulation of Silencer Thickness
8000	10	AXIAL	710	9.75	1.5	4	80	67	58	795	2	530	500	795	1030	42.5
	15	AXIAL	710	9.65	3	4	100L	68	59	795	2	530	500	795	1030	42.5
	20	AXIAL	710	9.9	3	4	100L	69	60	795	2	530	500	795	1030	42.5
	25	AXIAL	710	9.77	5	4	112M	70	61	795	2	530	500	795	1030	42.5
	30	AXIAL	710	9.86	5	4	112M	69	60	795	2	530	500	795	1030	42.5
	35	AXIAL	710	9.43	5	4	112M	70	61	795	2	530	500	795	1030	42.5
	40	AXIAL	710	10.04	7.5	2	132S	77	68	795	2	530	500	795	1030	42.5
	45	AXIAL	710	9.74	7.5	2	132S	77	68	795	2	530	500	795	1030	42.5
	50	AXIAL	710	9.47	7.5	2	132S	78	69	795	2	530	500	795	1030	42.5
	55	AXIAL	710	10.8	7.5	2	132S	82	73	795	2	530	500	795	1030	42.5
	60	AXIAL	710	10.5	7.5	2	132S	82	73	795	2	530	500	795	1030	42.5
	65	AXIAL	710	10.2	7.5	2	132S	82	73	795	2	530	500	795	1030	42.5
	70	AXIAL	710	10	7.5	2	132S	82	73	795	2	530	500	795	1030	42.5
	75	AXIAL	710	9.7	7.5	2	132S	82	73	795	2	530	500	795	1030	42.5
	80	AXIAL	710	9.6	10	2	132S	86	77	795	2	530	500	795	1030	42.5
	9000	10	AXIAL	710	10.8	3	4	100L	68	59	795	2	530	500	795	1030
15		AXIAL	710	10.8	3	4	100L	70	61	795	2	530	500	795	1030	42.5
20		AXIAL	710	10.9	3	4	100L	70	61	795	2	530	500	795	1030	42.5
25		AXIAL	710	10.45	3	4	100L	70	61	795	2	530	500	795	1030	42.5
30		AXIAL	710	10.6	5	4	112M	73	64	795	2	530	500	795	1030	42.5
35		AXIAL	710	10.7	7.5	4	132S	71	62	795	2	530	500	795	1030	42.5
40		AXIAL	710	10.6	7.5	4	132S	77	68	795	2	530	500	795	1030	42.5
45		AXIAL	710	11.5	10	2	132S	84	75	795	2	530	500	795	1030	42.5
50		AXIAL	710	11.3	10	2	132S	84	75	795	2	530	500	795	1030	42.5
55		AXIAL	710	11.1	10	2	132S	85	76	795	2	530	500	795	1030	42.5
60		AXIAL	710	10.9	10	2	132S	85	76	795	2	530	500	795	1030	42.5
65		AXIAL	710	10.7	10	2	132S	81	72	795	2	530	500	795	1030	42.5
70		AXIAL	710	10.8	15	2	160M	82	73	795	2	530	500	795	1030	42.5
75		AXIAL	710	11.7	15	2	160M	83	74	795	2	530	500	795	1030	42.5
80		AXIAL	710	11	15	2	160M	83	74	795	2	530	500	795	1030	42.5
10000		10	AXIAL	800	7.4	1.5	4	80	76	67	885	2	530	500	885	1030
	15	AXIAL	800	9.4	3	4	100L	68	59	885	2	530	500	885	1030	42.5
	20	AXIAL	800	9.8	3	4	100L	73	64	885	2	530	500	885	1030	42.5
	25	AXIAL	800	9.5	3	4	100L	66	57	885	2	530	500	885	1030	42.5
	30	AXIAL	800	9.4	5	4	112M	74	65	885	2	530	500	885	1030	42.5
	35	AXIAL	800	9.4	5	4	112M	72	63	885	2	530	500	885	1030	42.5
	40	AXIAL	800	9.5	7.5	4	132S	73	64	885	2	530	500	885	1030	42.5
	45	AXIAL	800	9.6	7.5	4	132S	75	66	885	2	530	500	885	1030	42.5
	50	AXIAL	800	9.7	7.5	4	132S	72	63	885	2	530	500	885	1030	42.5
	55	AXIAL	800	9.7	7.5	4	132S	72	63	885	2	530	500	885	1030	42.5
	10	AXIAL	900	9.15	3	4	100L	64	55	985	2	530	500	985	1030	42.5
	15	AXIAL	900	8.9	3	4	100L	76	67	985	2	530	500	985	1030	42.5
	20	AXIAL	900	8.9	3	4	100L	78	69	985	2	530	500	985	1030	42.5
	25	AXIAL	900	9.08	5	4	112M	69	60	985	2	530	500	985	1030	42.5
	30	AXIAL	900	9.04	5	4	112M	78	69	985	2	530	500	985	1030	42.5
	35	AXIAL	900	9.08	7.5	4	132S	79	70	985	2	530	500	985	1030	42.5
40	AXIAL	900	9.11	7.5	4	132S	77	68	985	2	530	500	985	1030	42.5	
45	AXIAL	900	9.2	7.5	4	132S	78	69	985	2	530	500	985	1030	42.5	
50	AXIAL	900	9.4	10	4	132M	82	73	985	2	530	500	985	1030	42.5	
10	AXIAL	900	10.4	5	4	112M	72	63	985	2	530	500	985	1030	42.5	
15	AXIAL	900	10.5	5	4	112M	75	66	985	2	530	500	985	1030	42.5	
20	AXIAL	900	10.5	5	4	112M	75	66	985	2	530	500	985	1030	42.5	
25	AXIAL	900	10.4	5	4	112M	78	69	985	2	530	500	985	1030	42.5	
30	AXIAL	900	10.6	7.5	4	132S	72	63	985	2	530	500	985	1030	42.5	
35	AXIAL	900	10.5	7.5	4	132S	79	70	985	2	530	500	985	1030	42.5	
40	AXIAL	900	10.6	10	4	132M	80	71	985	2	530	500	985	1030	42.5	
45	AXIAL	900	10.8	10	4	132M	80	71	985	2	530	500	985	1030	42.5	
50	AXIAL	900	10.6	10	4	132M	80	71	985	2	530	500	985	1030	42.5	
55	AXIAL	900	10.6	10	4	132M	80	71	985	2	530	500	985	1030	42.5	
15000	10	AXIAL	1000	9.15	5	4	112M	72	63	1085	2.5	530	500	1085	1030	42.5
	15	AXIAL	1000	9.16	5	4	112M	78	69	1085	2.5	530	500	1085	1030	42.5
	20	AXIAL	1000	9.5	5	4	112M	75	66	1085	2.5	530	500	1085	1030	42.5
	25	AXIAL	1000	9.2	5	4	112M	78	69	1085	2.5	530	500	1085	1030	42.5
	30	AXIAL	1000	9.2	7.5	4	132S	74	65	1085	2.5	530	500	1085	1030	42.5
	35	AXIAL	1000	9	7.5	4	132S	81	72	1085	2.5	530	500	1085	1030	42.5
	40	AXIAL	1000	9.3	10	4	132M	83	74	1085	2.5	530	500	1085	1030	42.5
	45	AXIAL	1000	9	10	4	132M	83	74	1085	2.5	530	500	1085	1030	42.5
	50	AXIAL	1000	9.3	15	4	160M	83	74	1085	2.5	530	500	1085	1030	42.5
	55	AXIAL	1000	9	15	4	160M	83	74	1085	2.5	530	500	1085	1030	42.5
	60	AXIAL	1000	9	15	4	160M	86	77	1085	2.5	530	500	1085	1030	42.5
	65	AXIAL	1000	9	15	4	160M	86	77	1085	2.5	530	500	1085	1030	42.5
	70	AXIAL	1000	9	15	4	160M	87	78	1085	2.5	530	500	1085	1030	42.5
	75	AXIAL	1000	9	15	4	160M	82	73	1085	2.5	530	500	1085	1030	42.5
	80	AXIAL	1000	9.4	20	4	160L	83	74	1085	2.5	530	500	1085	1030	42.5

NOTE: ALL TECHNICAL & DIMENSIONS ARE ONLY FOR REFERENCE

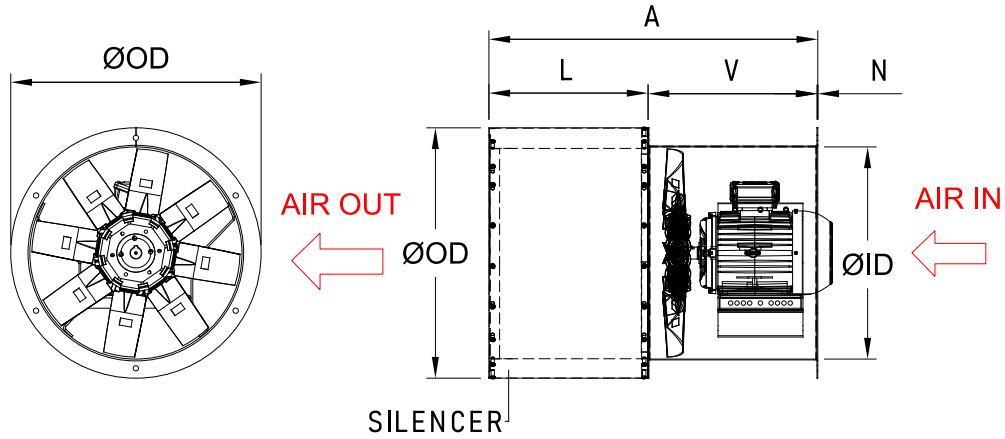


### TUBE/FIRE/VANE WITH ONE SIDE SILENCER

ALL DIMENSIONS (IN MM)

AIR VOLUME (CFM)	STATIC PRESSURE (mmwg)	FAN TYPE	FAN DIA Ø ID	Outlet Vel. (m/s)	MOTOR (HP)	MOTOR POLE	MOTOR FRAME SIZE	db@3M	db@3M AFTER ONE SIDE SILENCER	Fan ØOD	Thickness of Casing ( N )	Length of Casing ( V )	Length of Silencer ( L )	Silencer ØOD	Total length with one side silencer ( A )	Insulation of Silencer Thickness	
16000	10	AXIAL	1000	9.6	3	6	112M	66	57	1085	2.5	530	500	1085	1030	42.5	
	15	AXIAL	1000	9.9	5	4	112M	79	70	1085	2.5	530	500	1085	1030	42.5	
	20	AXIAL	1000	9.7	5	4	112M	72	63	1085	2.5	530	500	1085	1030	42.5	
	25	AXIAL	1000	9.6	5	4	112M	81	72	1085	2.5	530	500	1085	1030	42.5	
	30	AXIAL	1000	9.7	7.5	4	132S	80	71	1085	2.5	530	500	1085	1030	42.5	
	35	AXIAL	1000	9.6	7.5	4	132S	84	75	1085	2.5	530	500	1085	1030	42.5	
	40	AXIAL	1000	10.1	10	4	132M	81	72	1085	2.5	530	500	1085	1030	42.5	
	45	AXIAL	1000	9.88	15	4	160M	83	74	1085	2.5	530	500	1085	1030	42.5	
	50	AXIAL	1000	9.64	15	4	160M	83	74	1085	2.5	530	500	1085	1030	42.5	
	55	AXIAL	1000	9.9	15	4	160M	83	74	1085	2.5	530	500	1085	1030	42.5	
	60	AXIAL	1000	9.7	15	4	160M	86	77	1085	2.5	530	500	1085	1030	42.5	
	65	AXIAL	1000	10.1	15	4	160M	82	73	1085	2.5	530	500	1085	1030	42.5	
	70	AXIAL	1000	9.8	15	4	160M	82	73	1085	2.5	530	500	1085	1030	42.5	
	75	AXIAL	1000	10	20	4	160L	84	75	1085	2.5	530	500	1085	1030	42.5	
	80	AXIAL	1000	9.7	20	4	160L	79	70	1085	2.5	530	500	1085	1030	42.5	
	18000	10	AXIAL	1000	10.8	5	6	132S	65	56	1085	2.5	530	500	1085	1030	42.5
15		AXIAL	1000	10.5	7.5	6	132M	70	61	1085	2.5	530	500	1085	1030	42.5	
20		AXIAL	1000	10.8	5	4	112M	73	64	1085	2.5	530	500	1085	1030	42.5	
25		AXIAL	1000	10.9	7.5	4	132S	83	74	1085	2.5	530	500	1085	1030	42.5	
30		AXIAL	1000	10.9	7.5	4	132S	77	68	1085	2.5	530	500	1085	1030	42.5	
35		AXIAL	1000	10.9	7.5	4	132S	78	69	1085	2.5	530	500	1085	1030	42.5	
40		AXIAL	1000	10.9	10	4	132M	72	63	1085	2.5	530	500	1085	1030	42.5	
45		AXIAL	1000	10.8	10	4	132M	84	75	1085	2.5	530	500	1085	1030	42.5	
55		AXIAL	1000	10.8	15	4	160M	85	76	1085	2.5	530	500	1085	1030	42.5	
60		AXIAL	1000	11.2	15	4	160M	82	73	1085	2.5	530	500	1085	1030	42.5	
65		AXIAL	1000	10.95	15	4	160M	82	73	1085	2.5	530	500	1085	1030	42.5	
70		AXIAL	1000	10.8	15	4	160M	86	77	1085	2.5	530	500	1085	1030	42.5	
75		AXIAL	1000	11	20	4	160L	80	71	1085	2.5	530	500	1085	1030	42.5	
80		AXIAL	1000	10.9	20	4	160L	80	71	1085	2.5	530	500	1085	1030	42.5	
20000		10	AXIAL	1120	9.6	3	6	112M	72	63	1205	2.5	655	800	1205	1455	42.5
		15	AXIAL	1120	9.8	7.5	4	132S	83	74	1205	2.5	655	800	1205	1455	42.5
	20	AXIAL	1120	10	7.5	4	132S	79	70	1205	2.5	655	800	1205	1455	42.5	
	25	AXIAL	1120	9.9	7.5	4	132S	81	72	1205	2.5	655	800	1205	1455	42.5	
	30	AXIAL	1120	9.7	10	4	132M	86	77	1205	2.5	655	800	1205	1455	42.5	
	35	AXIAL	1120	9.8	10	4	132M	80	71	1205	2.5	655	800	1205	1455	42.5	
	40	AXIAL	1120	10	10	4	132M	89	80	1205	2.5	655	800	1205	1455	42.5	
	45	AXIAL	1120	9.8	15	4	160M	87	78	1205	2.5	655	800	1205	1455	42.5	
	50	AXIAL	1120	9.8	15	4	160M	78	69	1205	2.5	655	800	1205	1455	42.5	
	55	AXIAL	1120	9.7	15	4	160M	87	78	1205	2.5	655	800	1205	1455	42.5	
	60	AXIAL	1120	10	15	4	160M	88	79	1205	2.5	655	800	1205	1455	42.5	
	65	AXIAL	1120	9.7	20	4	160L	89	80	1205	2.5	655	800	1205	1455	42.5	
	70	AXIAL	1120	9.7	20	4	160L	87	78	1205	2.5	655	800	1205	1455	42.5	
	75	AXIAL	1120	9.6	20	4	160L	90	81	1205	2.5	655	800	1205	1455	42.5	
	80	AXIAL	1120	9.6	20	4	160L	90	81	1205	2.5	655	800	1205	1455	42.5	
	24000	10	AXIAL	1250	9.4	5	6	132S	75	66	1355	3	655	800	1355	1455	52.5
15		AXIAL	1250	9.2	5	6	132S	75	66	1355	3	655	800	1355	1455	52.5	
20		AXIAL	1250	9.3	7.5	6	132M	72	63	1355	3	655	800	1355	1455	52.5	
25		AXIAL	1250	9.3	7.5	6	132M	85	76	1355	3	655	800	1355	1455	52.5	
30		AXIAL	1250	9.5	10	6	160M	84	75	1355	3	655	800	1355	1455	52.5	
35		AXIAL	1250	9.4	10	6	160M	86	77	1355	3	655	800	1355	1455	52.5	
40		AXIAL	1250	9.4	15	6	160L	86	77	1355	3	655	800	1355	1455	52.5	
45		AXIAL	1250	9.3	15	6	160L	85	76	1355	3	655	800	1355	1455	52.5	
50		AXIAL	1250	9.4	15	6	160L	85	76	1355	3	655	800	1355	1455	52.5	
55		AXIAL	1250	9.6	20	6	180L	86	77	1355	3	655	800	1355	1455	52.5	
60		AXIAL	1250	9.3	20	6	180L	86	77	1355	3	655	800	1355	1455	52.5	
65		AXIAL	1250	9.9	25	4	180M	92	83	1355	3	655	800	1355	1455	52.5	
70		AXIAL	1250	9.6	25	4	180M	92	83	1355	3	655	800	1355	1455	52.5	
75		AXIAL	1250	9.4	25	4	180M	92	83	1355	3	655	800	1355	1455	52.5	
80		AXIAL	1250	9.4	25	4	180M	92	83	1355	3	655	800	1355	1455	52.5	
27000		10	AXIAL	1250	10.4	7.5	6	132M	78	69	1355	3	655	800	1355	1455	52.5
	15	AXIAL	1250	10.4	7.5	6	132M	71	62	1355	3	655	800	1355	1455	52.5	
	20	AXIAL	1250	10.6	7.5	6	132M	75	66	1355	3	655	800	1355	1455	52.5	
	25	AXIAL	1250	10.4	7.5	6	132M	85	76	1355	3	655	800	1355	1455	52.5	
	30	AXIAL	1250	10.4	10	6	160M	83	74	1355	3	655	800	1355	1455	52.5	
	35	AXIAL	1250	10.4	10	6	160M	86	77	1355	3	655	800	1355	1455	52.5	
	40	AXIAL	1250	10.5	15	6	160L	81	72	1355	3	655	800	1355	1455	52.5	
	45	AXIAL	1250	10.6	15	6	160L	82	73	1355	3	655	800	1355	1455	52.5	
	50	AXIAL	1250	10.5	15	6	160L	83	74	1355	3	655	800	1355	1455	52.5	
	55	AXIAL	1250	10.7	20	6	180L	84	75	1355	3	655	800	1355	1455	52.5	
	60	AXIAL	1250	10.4	20	6	180L	84	75	1355	3	655	800	1355	1455	52.5	
	65	AXIAL	1250	11	25	4	180M	92	83	1355	3	655	800	1355	1455	52.5	
	70	AXIAL	1250	10.8	25	4	180M	92	83	1355	3	655	800	1355	1455	52.5	
	75	AXIAL	1250	10.5	25	4	180M	92	83	1355	3	655	800	1355	1455	52.5	
	80	AXIAL	1250	10.9	30	4	180L	91	82	1355	3	655	800	1355	1455	52.5	

NOTE: ALL TECHNICAL & DIMENSIONS ARE ONLY FOR REFERENCE

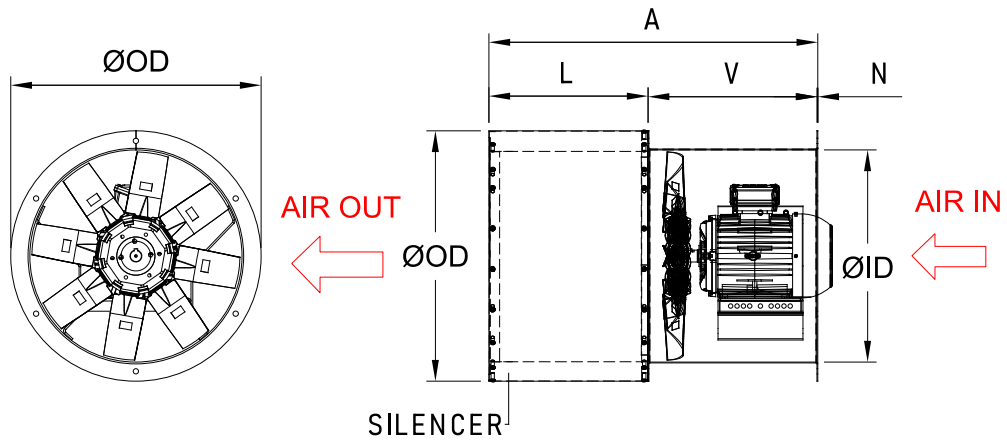


### TUBE/FIRE/VANE WITH ONE SIDE SILENCER

ALL DIMENSIONS (IN MM)

AIR VOLUME (CFM)	STATIC PRESSURE (mmwg)	FAN TYPE	FAN DIA Ø ID	Outlet Vel. (m/s)	MOTOR (HP)	MOTOR POLE	MOTOR FRAME SIZE	dB@3M	dB@3M AFTER ONE SIDE SILENCER	Fan ØOD	Thickness of Casing ( N )	Length of Casing ( V )	Length of Silencer ( L )	Silencer ØOD	Total length with one side silencer ( A )	Insulation of Silencer Thickness
30000	10	AXIAL	1400	9.8	5	6	132S	75	66	1505	3	655	800	1505	1455	52.5
	15	AXIAL	1400	9.3	7.5	6	132M	79	70	1505	3	655	800	1505	1455	52.5
	20	AXIAL	1400	9.5	10	6	160M	74	65	1505	3	655	800	1505	1455	52.5
	25	AXIAL	1400	9.6	10	6	160M	84	75	1505	3	655	800	1505	1455	52.5
	30	AXIAL	1400	9.3	10	6	160M	84	75	1505	3	655	800	1505	1455	52.5
	35	AXIAL	1400	9.3	15	6	160L	84	75	1505	3	655	800	1505	1455	52.5
	40	AXIAL	1400	9.6	15	6	160L	86	77	1505	3	655	800	1505	1455	52.5
	45	AXIAL	1400	9.5	15	6	160L	80	71	1505	3	655	800	1505	1455	52.5
	50	AXIAL	1400	9.7	20	6	180L	88	79	1505	3	655	800	1505	1455	52.5
	55	AXIAL	1400	9.3	20	6	180L	88	79	1505	3	655	800	1505	1455	52.5
	60	AXIAL	1400	9.5	25	6	200L	89	80	1505	3	655	800	1505	1455	52.5
	65	AXIAL	1400	9.3	25	4	180M	92	83	1505	3	655	800	1505	1455	52.5
	70	AXIAL	1400	9.5	25	4	180M	92	83	1505	3	655	800	1505	1455	52.5
	75	AXIAL	1400	9.4	25	4	180M	92	83	1505	3	655	800	1505	1455	52.5
35000	10	AXIAL	1400	10.8	7.5	6	132M	79	70	1505	3	655	800	1505	1455	52.5
	15	AXIAL	1400	10.7	10	6	160M	80	71	1505	3	655	800	1505	1455	52.5
	20	AXIAL	1400	10.8	10	6	160M	83	74	1505	3	655	800	1505	1455	52.5
	25	AXIAL	1400	10.6	10	6	160M	78	69	1505	3	655	800	1505	1455	52.5
	30	AXIAL	1400	11	15	6	160L	82	73	1505	3	655	800	1505	1455	52.5
	35	AXIAL	1400	11	15	6	160L	86	77	1505	3	655	800	1505	1455	52.5
	40	AXIAL	1400	10.9	15	6	160L	87	78	1505	3	655	800	1505	1455	52.5
	45	AXIAL	1400	10.9	20	6	180L	87	78	1505	3	655	800	1505	1455	52.5
	50	AXIAL	1400	10.8	20	6	180L	87	78	1505	3	655	800	1505	1455	52.5
	55	AXIAL	1400	11	30	6	200L	88	79	1505	3	655	800	1505	1455	52.5
	60	AXIAL	1400	9.5	25	6	180L	89	80	1505	3	655	800	1505	1455	52.5
	65	AXIAL	1400	10.9	25	4	180M	84	75	1505	3	655	800	1505	1455	52.5
	70	AXIAL	1400	11.3	30	4	180L	86	77	1505	3	655	800	1505	1455	52.5
	75	AXIAL	1400	11.5	40	4	200L	94	85	1505	3	655	800	1505	1455	52.5
80	AXIAL	1400	11.2	40	4	200L	94	85	1505	3	655	800	1505	1455	52.5	
40000	10	AXIAL	1400	12.6	7.5	6	160M	73	64	1505	3	655	800	1505	1455	52.5
	15	AXIAL	1400	12.4	15	4	160M	87	78	1505	3	655	800	1505	1455	52.5
	20	AXIAL	1400	12.3	10	6	160M	77	68	1505	3	655	800	1505	1455	52.5
	25	AXIAL	1400	12.3	10	6	160M	82	73	1505	3	655	800	1505	1455	52.5
	30	AXIAL	1400	12.5	15	6	160L	83	74	1505	3	655	800	1505	1455	52.5
	35	AXIAL	1400	12.5	20	6	180L	87	78	1505	3	655	800	1505	1455	52.5
	40	AXIAL	1400	12.3	20	6	180L	87	78	1505	3	655	800	1505	1455	52.5
	45	AXIAL	1400	12.3	20	6	180L	87	78	1505	3	655	800	1505	1455	52.5
	50	AXIAL	1400	12.8	30	6	200L	86	77	1505	3	655	800	1505	1455	52.5
	55	AXIAL	1400	12.4	30	6	200L	86	77	1505	3	655	800	1505	1455	52.5
	60	AXIAL	1400	12.8	30	6	200L	90	81	1505	3	655	800	1505	1455	52.5
	65	AXIAL	1400	12.5	30	6	200L	90	81	1505	3	655	800	1505	1455	52.5
	70	AXIAL	1400	12.8	40	4	200L	94	85	1505	3	655	800	1505	1455	52.5
	75	AXIAL	1400	12.5	40	4	200L	94	85	1505	3	655	800	1505	1455	52.5
80	AXIAL	1400	12.2	40	4	200L	94	85	1505	3	655	800	1505	1455	52.5	
45000	10	AXIAL	1400	13.9	10	6	160M	82	73	1505	3	655	800	1505	1455	52.5
	15	AXIAL	1400	14	15	6	160L	81	72	1505	3	655	800	1505	1455	52.5
	20	AXIAL	1400	13.8	15	6	160L	85	76	1505	3	655	800	1505	1455	52.5
	25	AXIAL	1400	14	15	6	160L	82	73	1505	3	655	800	1505	1455	52.5
	30	AXIAL	1400	13.9	20	6	180L	86	77	1505	3	655	800	1505	1455	52.5
	35	AXIAL	1400	13.9	20	6	180L	83	74	1505	3	655	800	1505	1455	52.5
	45	AXIAL	1400	13.8	30	6	200L	90	81	1505	3	655	800	1505	1455	52.5
	50	AXIAL	1400	14	30	6	200L	84	75	1505	3	655	800	1505	1455	52.5
	55	AXIAL	1400	14	30	6	200L	84	75	1505	3	655	800	1505	1455	52.5
	60	AXIAL	1400	13.8	30	6	200L	84	75	1505	3	655	800	1505	1455	52.5
	65	AXIAL	1400	13.6	40	4	200L	93	84	1505	3	655	800	1505	1455	52.5
	70	AXIAL	1400	14.2	50	4	225S	93	84	1505	3	655	800	1505	1455	52.5
	75	AXIAL	1400	14	50	4	225S	93	84	1505	3	655	800	1505	1455	52.5
	80	AXIAL	1400	13.8	50	4	225S	93	84	1505	3	655	800	1505	1455	52.5
50000	10	AXIAL	1600	12.2	15	6	160L	78	69	1705	3	655	800	1705	1455	52.5
	15	AXIAL	1600	12.5	15	6	160L	85	76	1705	3	655	800	1705	1455	52.5
	20	AXIAL	1600	11.9	15	6	160L	79	70	1705	3	655	800	1705	1455	52.5
	25	AXIAL	1600	11.8	20	6	180L	83	74	1705	3	655	800	1705	1455	52.5
	30	AXIAL	1600	11.8	30	6	200L	84	75	1705	3	655	800	1705	1455	52.5
	35	AXIAL	1600	12.6	30	6	200L	89	80	1705	3	655	800	1705	1455	52.5
	40	AXIAL	1600	12.2	30	6	200L	89	80	1705	3	655	800	1705	1455	52.5
	45	AXIAL	1600	11.75	30	6	200L	89	80	1705	3	655	800	1705	1455	52.5
	50	AXIAL	1600	12.5	40	6	225M	89	80	1705	3	655	800	1705	1455	52.5
	55	AXIAL	1600	12	40	6	225M	90	81	1705	3	655	800	1705	1455	52.5
	60	AXIAL	1600	11.8	40	6	225M	90	81	1705	3	655	800	1705	1455	52.5
	65	AXIAL	1600	12.2	40	6	225M	89	80	1705	3	655	800	1705	1455	52.5
	70	AXIAL	1600	11.7	40	6	225M	91	82	1705	3	655	800	1705	1455	52.5

NOTE: ALL TECHNICAL & DIMENSIONS ARE ONLY FOR REFERENCE



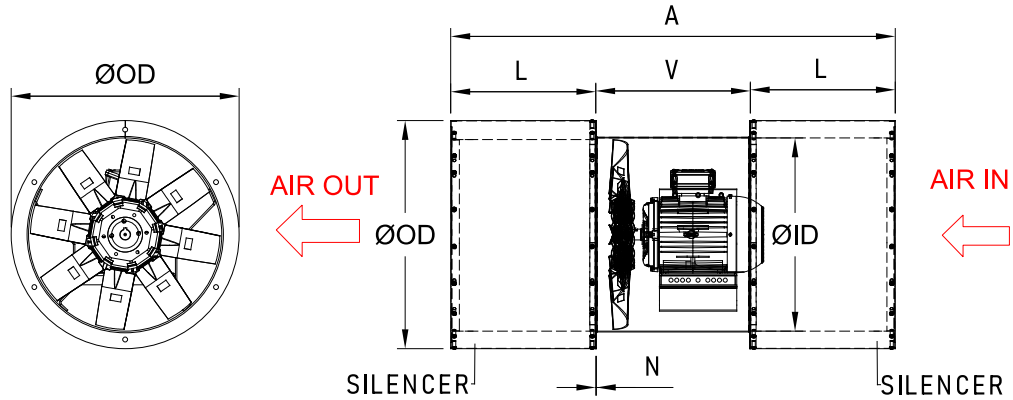
### TUBE/FIRE/VANE WITH ONE SIDE SILENCER

ALL DIMENSIONS (IN MM)

AIR VOLUME (CFM)	STATIC PRESSURE (mmwg)	FAN TYPE	FAN DIA Ø ID	Outlet Vel. (m/s)	MOTOR (HP)	MOTOR POLE	MOTOR FRAME SIZE	db@3M	db@3M AFTER ONE SIDE	Fan ØOD	Thickness of Casing ( N )	Length of Casing ( V )	Length of Silencer ( L )	Silencer ØOD	Total length with one side silencer ( A )	Insulation of Silencer Thickness	
55000	10	AXIAL	1600	13	15	6	160L	82	73	1705	3	655	800	1705	1455	52.5	
	15	AXIAL	1600	13.1	15	6	160L	79	70	1705	3	655	800	1705	1455	52.5	
	25	AXIAL	1600	13	20	6	180L	83	74	1705	3	655	800	1705	1455	52.5	
	30	AXIAL	1600	13.4	30	6	200L	86	77	1705	3	655	800	1705	1455	52.5	
	35	AXIAL	1600	13.2	30	6	200L	88	79	1705	3	655	800	1705	1455	52.5	
	40	AXIAL	1600	13.3	30	6	200L	90	81	1705	3	655	800	1705	1455	52.5	
	45	AXIAL	1600	13	30	6	200L	90	81	1705	3	655	800	1705	1455	52.5	
	50	AXIAL	1600	13.2	40	6	225M	87	78	1705	3	655	800	1705	1455	52.5	
	55	AXIAL	1600	13.5	40	6	225M	89	80	1705	3	655	800	1705	1455	52.5	
	60	AXIAL	1600	13.2	40	6	225M	89	80	1705	3	655	800	1705	1455	52.5	
	65	AXIAL	1600	13.1	40	6	225M	90	81	1705	3	655	800	1705	1455	52.5	
	70	AXIAL	1600	13	50	6	250M	90	81	1705	3	655	800	1705	1455	52.5	
	60000	10	AXIAL	1600	14.3	15	6	160L	77	68	1705	3	655	800	1705	1455	52.5
		15	AXIAL	1600	14.2	20	7	160L	82	73	1705	3	655	800	1705	1455	52.5
20		AXIAL	1600	14.2	20	6	180L	82	73	1705	3	655	800	1705	1455	52.5	
25		AXIAL	1600	14.6	20	6	180L	87	78	1705	3	655	800	1705	1455	52.5	
30		AXIAL	1600	14.2	30	6	200L	88	79	1705	3	655	800	1705	1455	52.5	
35		AXIAL	1600	14.6	30	6	200L	88	79	1705	3	655	800	1705	1455	52.5	
40		AXIAL	1600	14.3	40	6	225M	88	79	1705	3	655	800	1705	1455	52.5	
45		AXIAL	1600	14.3	40	6	225M	87	78	1705	3	655	800	1705	1455	52.5	
50		AXIAL	1600	14.2	40	6	225M	88	79	1705	3	655	800	1705	1455	52.5	
55		AXIAL	1600	14.8	50	6	250M	89	80	1705	3	655	800	1705	1455	52.5	
60		AXIAL	1600	14.5	50	6	250M	90	81	1705	3	655	800	1705	1455	52.5	
65		AXIAL	1600	14.2	50	6	250M	90	81	1705	3	655	800	1705	1455	52.5	
70		AXIAL	1600	14.7	60	6	280S	92	83	1705	3	655	800	1705	1455	52.5	

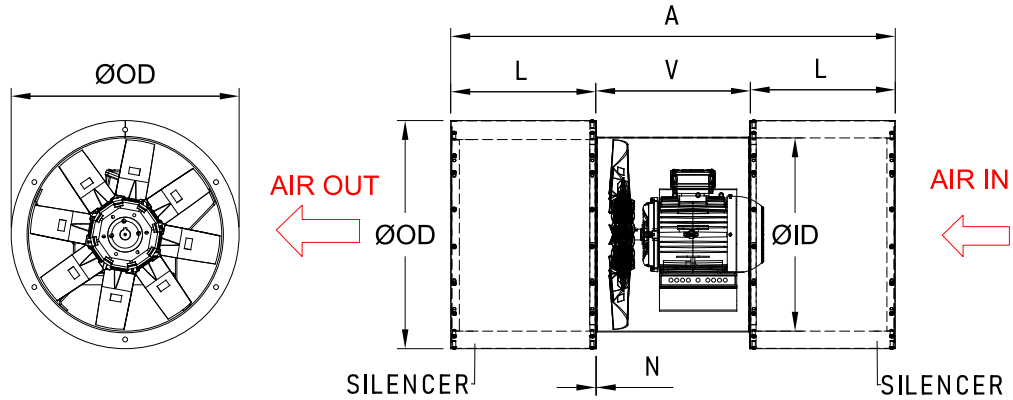
NOTE: ALL TECHNICAL & DIMENSIONS ARE ONLY FOR REFERENCE

## DIMENSION TABLE



TUBE/FIRE/VANE WITH BOTH SIDE SILENCER																
ALL DIMENSIONS (IN MM)																
AIR VOLUME (CFM)	STATIC PRESSURE (mmwg)	FAN TYPE	FAN DIA Ø ID	Outlet Vel. (m/s)	MOTOR (HP)	MOTOR POLE	MOTOR FRAME SIZE	dB@3M	dB@3M AFTER BOTH SIDE SILENCER	Fan ØOD	Thickness of Casing ( N )	Length of Casing ( V )	Length of Silencer ( L )	Silencer ØOD	Total length with two side silencer ( A )	Insulation of Silencer Thickness
1000	10	AXIAL	315	6.05	0.5	2	71	67	53	400	2	320	300	400	920	42.5
	15	AXIAL	315	6.05	0.5	2	71	67	53	400	2	320	300	400	920	42.5
	20	AXIAL	315	6.05	0.5	2	71	69	55	400	2	320	300	400	920	42.5
	25	AXIAL	315	6.05	0.5	2	71	69	55	400	2	320	300	400	920	42.5
	30	AXIAL	315	6.05	0.5	2	71	69	55	400	2	320	300	400	920	42.5
2000	10	AXIAL	355	9.5	0.75	2	71	71	57	440	2	320	300	440	920	42.5
	15	AXIAL	355	9.5	0.75	2	71	71	57	440	2	320	300	440	920	42.5
	20	AXIAL	355	9.5	1	2	80	73	59	440	2	320	300	440	920	42.5
	25	AXIAL	355	9.54	1	2	80	71	57	440	2	320	300	440	920	42.5
	30	AXIAL	355	9.54	1	2	80	73	59	440	2	320	300	440	920	42.5
3000	35	AXIAL	355	9.54	1	2	80	73	59	440	2	320	300	440	920	42.5
	10	AXIAL	500	9.54	0.5	4	71	65	51	585	2	405	500	585	1405	42.5
	15	AXIAL	500	9.3	0.75	4	80	59	45	585	2	405	500	585	1405	42.5
	20	AXIAL	500	7.5	1	4	80	58	44	585	2	405	500	585	1405	42.5
	25	AXIAL	500	7.84	1.5	2	80	74	60	585	2	405	500	585	1405	42.5
	30	AXIAL	500	7.49	1.5	2	80	75	61	585	2	405	500	585	1405	42.5
	35	AXIAL	500	7.18	1.5	2	80	75	61	585	2	405	500	585	1405	42.5
	40	AXIAL	500	8.08	3	2	90L	82	68	585	2	405	500	585	1405	42.5
	45	AXIAL	500	7.92	3	2	90L	83	69	585	2	405	500	585	1405	42.5
	50	AXIAL	500	7.46	3	2	90L	79	65	585	2	405	500	585	1405	42.5
4000	60	AXIAL	500	7.51	5	2	100L	84	70	585	2	405	500	585	1405	42.5
	65	AXIAL	500	7.4	3	2	90L	84	70	585	2	405	500	585	1405	42.5
	70	AXIAL	500	7.3	3	2	90L	85	71	585	2	405	500	585	1405	42.5
	75	AXIAL	500	7.2	3	2	90L	85	71	585	2	405	500	585	1405	42.5
	80	AXIAL	500	7.3	5	2	100L	86	72	585	2	405	500	585	1405	42.5
	10	AXIAL	560	7.6	0.75	4	80	68	54	645	2	405	500	645	1405	42.5
	15	AXIAL	560	7.6	0.75	4	80	68	54	645	2	405	500	645	1405	42.5
	20	AXIAL	560	8.3	1.5	4	80	61	47	645	2	405	500	645	1405	42.5
	40	AXIAL	560	8.11	3	2	90L	78	64	645	2	405	500	645	1405	42.5
	45	AXIAL	560	7.82	3	2	90L	78	64	645	2	405	500	645	1405	42.5
5000	50	AXIAL	560	7.56	3	2	90L	78	64	645	2	405	500	645	1405	42.5
	55	AXIAL	560	7.32	3	2	90L	78	64	645	2	405	500	645	1405	42.5
	60	AXIAL	560	8.05	5	2	100L	81	67	645	2	405	500	645	1405	42.5
	65	AXIAL	560	7.8	5	2	100L	81	67	645	2	405	500	645	1405	42.5
	70	AXIAL	560	7.6	5	2	100L	81	67	645	2	405	500	645	1405	42.5
	75	AXIAL	560	7.8	5	2	100L	82	68	645	2	405	500	645	1405	42.5
	80	AXIAL	560	7.75	5	2	100L	83	69	645	2	405	500	645	1405	42.5
	10	AXIAL	630	7.8	1	4	80	62	48	715	2	405	500	715	1405	42.5
	15	AXIAL	630	7.8	1.5	4	80	65	51	715	2	405	500	715	1405	42.5
	20	AXIAL	630	7.7	1.5	4	80	73	59	715	2	405	500	715	1405	42.5
5000	25	AXIAL	630	7.62	3	4	100L	66	52	715	2	405	500	715	1405	42.5
	30	AXIAL	630	7.19	3	4	100L	67	53	715	2	405	500	715	1405	42.5
	35	AXIAL	630	7.79	5	2	100L	81	67	715	2	405	500	715	1405	42.5
	45	AXIAL	630	7.74	5	2	100L	80	66	715	2	405	500	715	1405	42.5
	50	AXIAL	630	7.75	5	2	100L	82	68	715	2	405	500	715	1405	42.5
	55	AXIAL	630	7.48	5	2	100L	82	68	715	2	405	500	715	1405	42.5
	60	AXIAL	630	7.73	7.5	2	132S	80	66	715	2	405	500	715	1405	42.5
	65	AXIAL	630	7.6	7.5	2	132S	80	66	715	2	405	500	715	1405	42.5
	70	AXIAL	630	7.8	7.5	2	132S	79	65	715	2	405	500	715	1405	42.5
	75	AXIAL	630	7.6	7.5	2	132S	79	65	715	2	405	500	715	1405	42.5
80	AXIAL	630	7.9	7.5	2	132S	82	68	715	2	405	500	715	1405	42.5	

NOTE: ALL TECHNICAL & DIMENSIONS ARE ONLY FOR REFERENCE

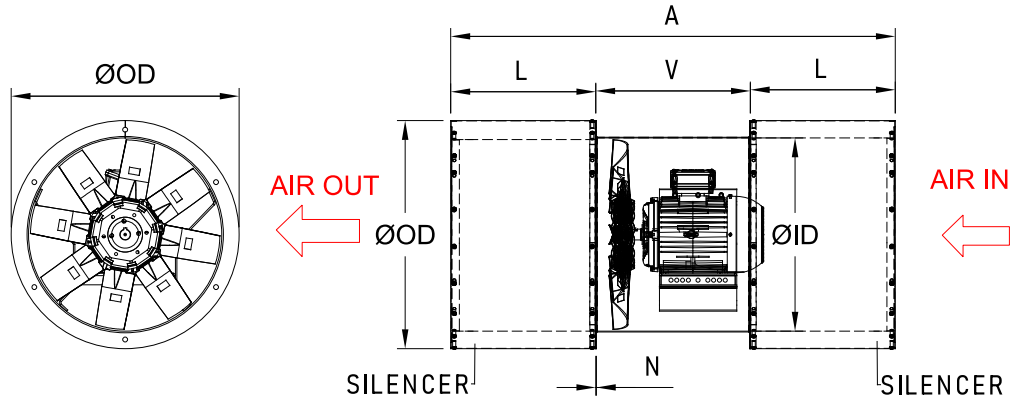


### TUBE/FIRE/VANE WITH BOTH SIDE SILENCER

ALL DIMENSIONS (IN MM)

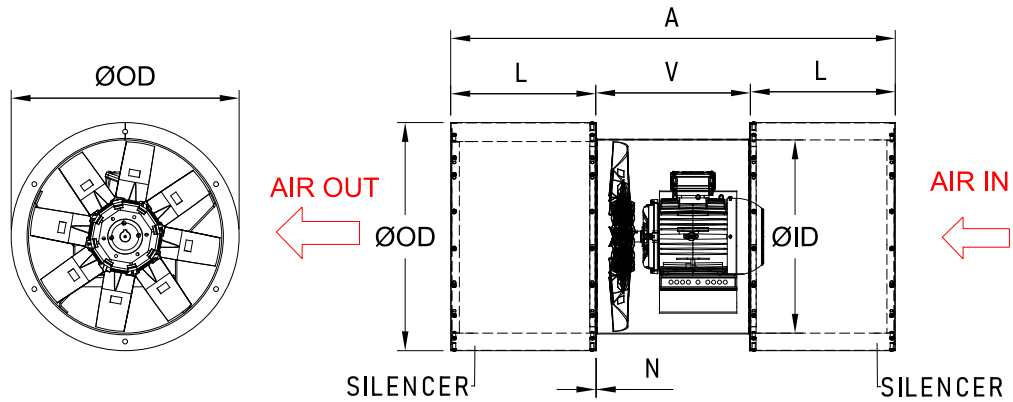
AIR VOLUME (CFM)	STATIC PRESSURE (mmwg)	FAN TYPE	FAN DIA Ø ID	Outlet Vel. (m/s)	MOTOR (HP)	MOTOR POLE	MOTOR FRAME SIZE	dB@3M	dB@3M AFTER BOTH SIDE SILENCER	Fan ØOD	Thickness of Casing ( N )	Length of Casing ( V )	Length of Silencer ( L )	Silencer ØOD	Total length with one side silencer ( A )	Insulation of Silencer Thickness
6000	10	AXIAL	630	9.1	1.5	4	80	64	50	715	2	405	500	715	1405	42.5
	15	AXIAL	630	9.15	2	4	90L	66	52	715	2	405	500	715	1405	42.5
	20	AXIAL	630	9.2	2	4	90L	66	52	715	2	405	500	715	1405	42.5
	25	AXIAL	630	9.1	5	4	112M	68	54	715	2	405	500	715	1405	42.5
	30	AXIAL	630	9.13	5	2	100L	73	59	715	2	405	500	715	1405	42.5
	35	AXIAL	630	9.7	5	2	100L	81	67	715	2	405	500	715	1405	42.5
	40	AXIAL	630	9.36	5	2	100L	82	68	715	2	405	500	715	1405	42.5
	45	AXIAL	630	9.3	7.5	2	132S	79	65	715	2	405	500	715	1405	42.5
	50	AXIAL	630	9.44	7.5	2	132S	80	66	715	2	405	500	715	1405	42.5
	55	AXIAL	630	9.16	7.5	2	132S	80	66	715	2	405	500	715	1405	42.5
	60	AXIAL	630	9.16	7.5	2	132S	81	67	715	2	405	500	715	1405	42.5
	65	AXIAL	630	9.4	10	2	132S	80	66	715	2	405	500	715	1405	42.5
	70	AXIAL	630	9.15	10	2	132S	80	66	715	2	405	500	715	1405	42.5
	75	AXIAL	630	9.13	10	2	132S	82	68	715	2	405	500	715	1405	42.5
	80	AXIAL	630	9.2	10	2	132S	82	68	715	2	405	500	715	1405	42.5
	8000	10	AXIAL	710	9.75	1.5	4	80	67	53	795	2	530	500	795	1530
15		AXIAL	710	9.65	3	4	100L	68	54	795	2	530	500	795	1530	42.5
20		AXIAL	710	9.9	3	4	100L	69	55	795	2	530	500	795	1530	42.5
25		AXIAL	710	9.77	5	4	112M	70	56	795	2	530	500	795	1530	42.5
30		AXIAL	710	9.86	5	4	112M	69	55	795	2	530	500	795	1530	42.5
35		AXIAL	710	9.43	5	4	112M	70	56	795	2	530	500	795	1530	42.5
40		AXIAL	710	10.04	7.5	2	132S	77	63	795	2	530	500	795	1530	42.5
45		AXIAL	710	9.74	7.5	2	132S	77	63	795	2	530	500	795	1530	42.5
50		AXIAL	710	9.47	7.5	2	132S	78	64	795	2	530	500	795	1530	42.5
55		AXIAL	710	10.8	7.5	2	132S	82	68	795	2	530	500	795	1530	42.5
60		AXIAL	710	10.5	7.5	2	132S	82	68	795	2	530	500	795	1530	42.5
65		AXIAL	710	10.2	7.5	2	132S	82	68	795	2	530	500	795	1530	42.5
70		AXIAL	710	10	7.5	2	132S	82	68	795	2	530	500	795	1530	42.5
75		AXIAL	710	9.7	7.5	2	132S	82	68	795	2	530	500	795	1530	42.5
80		AXIAL	710	9.6	10	2	132S	86	72	795	2	530	500	795	1530	42.5
9000		10	AXIAL	710	10.8	3	4	100L	68	54	795	2	530	500	795	1530
	15	AXIAL	710	10.8	3	4	100L	70	56	795	2	530	500	795	1530	42.5
	20	AXIAL	710	10.9	3	4	100L	70	56	795	2	530	500	795	1530	42.5
	25	AXIAL	710	10.45	3	4	100L	70	56	795	2	530	500	795	1530	42.5
	30	AXIAL	710	10.6	5	4	112M	73	59	795	2	530	500	795	1530	42.5
	35	AXIAL	710	10.7	7.5	4	132S	71	57	795	2	530	500	795	1530	42.5
	40	AXIAL	710	10.6	7.5	4	132S	77	63	795	2	530	500	795	1530	42.5
	45	AXIAL	710	11.5	10	2	132S	84	70	795	2	530	500	795	1530	42.5
	50	AXIAL	710	11.3	10	2	132S	84	70	795	2	530	500	795	1530	42.5
	55	AXIAL	710	11.1	10	2	132S	85	71	795	2	530	500	795	1530	42.5
	60	AXIAL	710	10.9	10	2	132S	85	71	795	2	530	500	795	1530	42.5
	65	AXIAL	710	10.7	10	2	132S	81	67	795	2	530	500	795	1530	42.5
	70	AXIAL	710	10.8	15	2	160M	82	68	795	2	530	500	795	1530	42.5
	75	AXIAL	710	11.7	15	2	160M	83	69	795	2	530	500	795	1530	42.5
	80	AXIAL	710	11	15	2	160M	83	69	795	2	530	500	795	1530	42.5
	10000	10	AXIAL	800	7.4	1.5	4	80	76	62	885	2	530	500	885	1530
15		AXIAL	800	9.4	3	4	100L	68	54	885	2	530	500	885	1530	42.5
20		AXIAL	800	9.8	3	4	100L	73	59	885	2	530	500	885	1530	42.5
25		AXIAL	800	9.5	3	4	100L	66	52	885	2	530	500	885	1530	42.5
30		AXIAL	800	9.4	5	4	112M	74	60	885	2	530	500	885	1530	42.5
35		AXIAL	800	9.4	5	4	112M	72	58	885	2	530	500	885	1530	42.5
40		AXIAL	800	9.5	7.5	4	132S	73	59	885	2	530	500	885	1530	42.5
45		AXIAL	800	9.6	7.5	4	132S	75	61	885	2	530	500	885	1530	42.5
50		AXIAL	800	9.7	7.5	4	132S	72	58	885	2	530	500	885	1530	42.5
55		AXIAL	800	9.7	7.5	4	132S	72	58	885	2	530	500	885	1530	42.5

NOTE: ALL TECHNICAL & DIMENSIONS ARE ONLY FOR REFERENCE



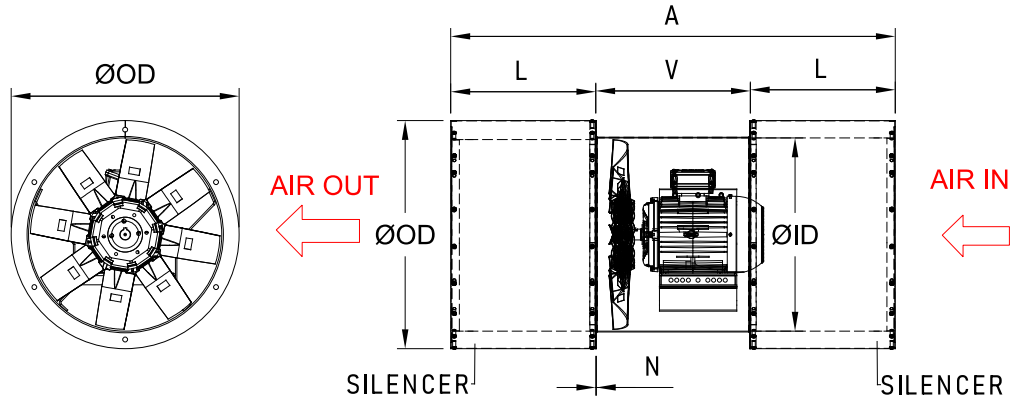
TUBE/FIRE/VANE WITH BOTH SIDE SILENCER																
ALL DIMENSIONS (IN MM)																
AIR VOLUME (CFM)	STATIC PRESSURE (mmwg)	FAN TYPE	FAN DIA Ø ID	Outlet Vel. (m/s)	MOTOR (HP)	MOTOR POLE	MOTOR FRAME SIZE	dB@3M	dB@3M AFTER BOTH SIDE SILENCER	Fan ØOD	Thickness of Casing ( N )	Length of Casing ( V )	Length of Silencer ( L )	Silencer ØOD	Total length with one side silencer ( A )	Insulation of Silencer Thickness
12000	10	AXIAL	900	9.15	3	4	100L	64	50	985	2	530	500	985	1530	42.5
	15	AXIAL	900	8.9	3	4	100L	76	62	985	2	530	500	985	1530	42.5
	20	AXIAL	900	8.9	3	4	100L	78	64	985	2	530	500	985	1530	42.5
	25	AXIAL	900	9.08	5	4	112M	69	55	985	2	530	500	985	1530	42.5
	30	AXIAL	900	9.04	5	4	112M	78	64	985	2	530	500	985	1530	42.5
	35	AXIAL	900	9.08	7.5	4	132S	79	65	985	2	530	500	985	1530	42.5
	40	AXIAL	900	9.11	7.5	4	132S	77	63	985	2	530	500	985	1530	42.5
	45	AXIAL	900	9.2	7.5	4	132S	78	64	985	2	530	500	985	1530	42.5
	50	AXIAL	900	9.4	10	4	132M	82	68	985	2	530	500	985	1530	42.5
	10	AXIAL	900	10.4	5	4	112M	72	58	985	2	530	500	985	1530	42.5
14000	15	AXIAL	900	10.5	5	4	112M	75	61	985	2	530	500	985	1530	42.5
	20	AXIAL	900	10.5	5	4	112M	75	61	985	2	530	500	985	1530	42.5
	25	AXIAL	900	10.4	5	4	112M	78	64	985	2	530	500	985	1530	42.5
	30	AXIAL	900	10.6	7.5	4	132S	72	58	985	2	530	500	985	1530	42.5
	35	AXIAL	900	10.5	7.5	4	132S	79	65	985	2	530	500	985	1530	42.5
	40	AXIAL	900	10.6	10	4	132M	80	66	985	2	530	500	985	1530	42.5
	45	AXIAL	900	10.8	10	4	132M	80	66	985	2	530	500	985	1530	42.5
	50	AXIAL	900	10.6	10	4	132M	80	66	985	2	530	500	985	1530	42.5
	55	AXIAL	900	10.6	10	4	132M	80	66	985	2	530	500	985	1530	42.5
	10	AXIAL	1000	9.15	5	4	112M	72	58	1085	2.5	530	500	1085	1530	42.5
15000	15	AXIAL	1000	9.16	5	4	112M	78	64	1085	2.5	530	500	1085	1530	42.5
	20	AXIAL	1000	9.5	5	4	112M	75	61	1085	2.5	530	500	1085	1530	42.5
	25	AXIAL	1000	9.2	5	4	112M	78	64	1085	2.5	530	500	1085	1530	42.5
	30	AXIAL	1000	9.2	7.5	4	132S	74	60	1085	2.5	530	500	1085	1530	42.5
	35	AXIAL	1000	9	7.5	4	132S	81	67	1085	2.5	530	500	1085	1530	42.5
	40	AXIAL	1000	9.3	10	4	132M	83	69	1085	2.5	530	500	1085	1530	42.5
	45	AXIAL	1000	9	10	4	132M	83	69	1085	2.5	530	500	1085	1530	42.5
	50	AXIAL	1000	9.3	15	4	160M	83	69	1085	2.5	530	500	1085	1530	42.5
	55	AXIAL	1000	9	15	4	160M	83	69	1085	2.5	530	500	1085	1530	42.5
	60	AXIAL	1000	9	15	4	160M	86	72	1085	2.5	530	500	1085	1530	42.5
16000	65	AXIAL	1000	9	15	4	160M	86	72	1085	2.5	530	500	1085	1530	42.5
	70	AXIAL	1000	9	15	4	160M	87	73	1085	2.5	530	500	1085	1530	42.5
	75	AXIAL	1000	9	15	4	160M	82	68	1085	2.5	530	500	1085	1530	42.5
	80	AXIAL	1000	9.4	20	4	160L	83	69	1085	2.5	530	500	1085	1530	42.5
	10	AXIAL	1000	9.6	3	6	112M	66	52	1085	2.5	530	500	1085	1530	42.5
	15	AXIAL	1000	9.9	5	4	112M	79	65	1085	2.5	530	500	1085	1530	42.5
	20	AXIAL	1000	9.7	5	4	112M	72	58	1085	2.5	530	500	1085	1530	42.5
	25	AXIAL	1000	9.6	5	4	112M	81	67	1085	2.5	530	500	1085	1530	42.5
	30	AXIAL	1000	9.7	7.5	4	132S	80	66	1085	2.5	530	500	1085	1530	42.5
	35	AXIAL	1000	9.6	7.5	4	132S	84	70	1085	2.5	530	500	1085	1530	42.5
18000	40	AXIAL	1000	10.1	10	4	132M	81	67	1085	2.5	530	500	1085	1530	42.5
	45	AXIAL	1000	9.88	15	4	160M	83	69	1085	2.5	530	500	1085	1530	42.5
	50	AXIAL	1000	9.64	15	4	160M	83	69	1085	2.5	530	500	1085	1530	42.5
	55	AXIAL	1000	9.9	15	4	160M	83	69	1085	2.5	530	500	1085	1530	42.5
	60	AXIAL	1000	9.7	15	4	160M	86	72	1085	2.5	530	500	1085	1530	42.5
	65	AXIAL	1000	10.1	15	4	160M	82	68	1085	2.5	530	500	1085	1530	42.5
	70	AXIAL	1000	9.8	15	4	160M	82	68	1085	2.5	530	500	1085	1530	42.5
	75	AXIAL	1000	10	20	4	160L	84	70	1085	2.5	530	500	1085	1530	42.5
	80	AXIAL	1000	9.7	20	4	160L	79	65	1085	2.5	530	500	1085	1530	42.5
	10	AXIAL	1000	10.8	5	6	132S	65	51	1085	2.5	530	500	1085	1530	42.5
	15	AXIAL	1000	10.5	7.5	6	132M	70	56	1085	2.5	530	500	1085	1530	42.5
	20	AXIAL	1000	10.8	5	4	112M	73	59	1085	2.5	530	500	1085	1530	42.5
	25	AXIAL	1000	10.9	7.5	4	132S	83	69	1085	2.5	530	500	1085	1530	42.5
	30	AXIAL	1000	10.9	7.5	4	132S	77	63	1085	2.5	530	500	1085	1530	42.5
	35	AXIAL	1000	10.9	7.5	4	132S	78	64	1085	2.5	530	500	1085	1530	42.5
	40	AXIAL	1000	10.9	10	4	132M	72	58	1085	2.5	530	500	1085	1530	42.5
	45	AXIAL	1000	10.8	10	4	132M	84	70	1085	2.5	530	500	1085	1530	42.5
	55	AXIAL	1000	10.8	15	4	160M	85	71	1085	2.5	530	500	1085	1530	42.5
	60	AXIAL	1000	11.2	15	4	160M	82	68	1085	2.5	530	500	1085	1530	42.5
	65	AXIAL	1000	10.95	15	4	160M	82	68	1085	2.5	530	500	1085	1530	42.5
70	AXIAL	1000	10.8	15	4	160M	86	72	1085	2.5	530	500	1085	1530	42.5	
75	AXIAL	1000	11	20	4	160L	80	66	1085	2.5	530	500	1085	1530	42.5	
80	AXIAL	1000	10.9	20	4	160L	80	66	1085	2.5	530	500	1085	1530	42.5	

NOTE: ALL TECHNICAL & DIMENSIONS ARE ONLY FOR REFERENCE



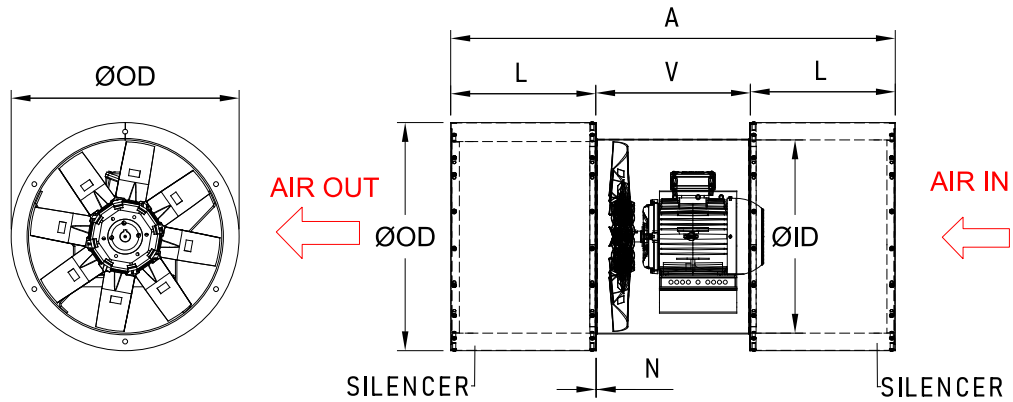
TUBE/FIRE/VANE WITH BOTH SIDE SILENCER																	
ALL DIMENSIONS (IN MM)																	
AIR VOLUME (CFM)	STATIC PRESSURE (mmwg)	FAN TYPE	FAN DIA Ø ID	Outlet Vel. (m/s)	MOTOR (HP)	MOTOR POLE	MOTOR FRAME SIZE	dB@3M	dB@3M AFTER BOTH SIDE	Fan ØOD	Thickness of Casing ( N )	Length of Casing ( V )	Length of Silencer (L)	Silencer ØOD	Total length with one side silencer (A)	Insulation of Silencer Thickness	
20000	10	AXIAL	1120	9.6	3	6	112M	72	58	1205	2.5	655	800	1205	2255	42.5	
	15	AXIAL	1120	9.8	7.5	4	132S	83	69	1205	2.5	655	800	1205	2255	42.5	
	20	AXIAL	1120	10	7.5	4	132S	79	65	1205	2.5	655	800	1205	2255	42.5	
	25	AXIAL	1120	9.9	7.5	4	132S	81	67	1205	2.5	655	800	1205	2255	42.5	
	30	AXIAL	1120	9.7	10	4	132M	86	72	1205	2.5	655	800	1205	2255	42.5	
	35	AXIAL	1120	9.8	10	4	132M	80	66	1205	2.5	655	800	1205	2255	42.5	
	40	AXIAL	1120	10	10	4	132M	89	75	1205	2.5	655	800	1205	2255	42.5	
	45	AXIAL	1120	9.8	15	4	160M	87	73	1205	2.5	655	800	1205	2255	42.5	
	50	AXIAL	1120	9.8	15	4	160M	78	64	1205	2.5	655	800	1205	2255	42.5	
	55	AXIAL	1120	9.7	15	4	160M	87	73	1205	2.5	655	800	1205	2255	42.5	
	60	AXIAL	1120	10	15	4	160M	88	74	1205	2.5	655	800	1205	2255	42.5	
	65	AXIAL	1120	9.7	20	4	160L	89	75	1205	2.5	655	800	1205	2255	42.5	
	70	AXIAL	1120	9.7	20	4	160L	87	73	1205	2.5	655	800	1205	2255	42.5	
	75	AXIAL	1120	9.6	20	4	160L	90	76	1205	2.5	655	800	1205	2255	42.5	
	80	AXIAL	1120	9.6	20	4	160L	90	76	1205	2.5	655	800	1205	2255	42.5	
	24000	10	AXIAL	1250	9.4	5	6	132S	75	61	1355	3	655	800	1355	2255	52.5
15		AXIAL	1250	9.2	5	6	132S	75	61	1355	3	655	800	1355	2255	52.5	
20		AXIAL	1250	9.3	7.5	6	132M	72	58	1355	3	655	800	1355	2255	52.5	
25		AXIAL	1250	9.3	7.5	6	132M	85	71	1355	3	655	800	1355	2255	52.5	
30		AXIAL	1250	9.5	10	6	160M	84	70	1355	3	655	800	1355	2255	52.5	
35		AXIAL	1250	9.4	10	6	160M	86	72	1355	3	655	800	1355	2255	52.5	
40		AXIAL	1250	9.4	15	6	160L	86	72	1355	3	655	800	1355	2255	52.5	
45		AXIAL	1250	9.3	15	6	160L	85	71	1355	3	655	800	1355	2255	52.5	
50		AXIAL	1250	9.4	15	6	160L	85	71	1355	3	655	800	1355	2255	52.5	
55		AXIAL	1250	9.6	20	6	180L	86	72	1355	3	655	800	1355	2255	52.5	
60		AXIAL	1250	9.3	20	6	180L	86	72	1355	3	655	800	1355	2255	52.5	
70		AXIAL	1250	9.9	25	4	180M	92	78	1355	3	655	800	1355	2255	52.5	
75		AXIAL	1250	9.6	25	4	180M	92	78	1355	3	655	800	1355	2255	52.5	
80		AXIAL	1250	9.4	25	4	180M	92	78	1355	3	655	800	1355	2255	52.5	
27000		10	AXIAL	1250	10.4	7.5	6	132M	78	64	1355	3	655	800	1355	2255	52.5
		15	AXIAL	1250	10.4	7.5	6	132M	71	57	1355	3	655	800	1355	2255	52.5
	20	AXIAL	1250	10.6	7.5	6	132M	75	61	1355	3	655	800	1355	2255	52.5	
	25	AXIAL	1250	10.4	7.5	6	132M	85	71	1355	3	655	800	1355	2255	52.5	
	30	AXIAL	1250	10.4	10	6	160M	83	69	1355	3	655	800	1355	2255	52.5	
	35	AXIAL	1250	10.4	10	6	160M	86	72	1355	3	655	800	1355	2255	52.5	
	40	AXIAL	1250	10.5	15	6	160L	81	67	1355	3	655	800	1355	2255	52.5	
	45	AXIAL	1250	10.6	15	6	160L	82	68	1355	3	655	800	1355	2255	52.5	
	50	AXIAL	1250	10.5	15	6	160L	83	69	1355	3	655	800	1355	2255	52.5	
	55	AXIAL	1250	10.7	20	6	180L	84	70	1355	3	655	800	1355	2255	52.5	
	60	AXIAL	1250	10.4	20	6	180L	84	70	1355	3	655	800	1355	2255	52.5	
	65	AXIAL	1250	11	25	4	180M	92	78	1355	3	655	800	1355	2255	52.5	
	70	AXIAL	1250	10.8	25	4	180M	92	78	1355	3	655	800	1355	2255	52.5	
	75	AXIAL	1250	10.5	25	4	180M	92	78	1355	3	655	800	1355	2255	52.5	
	80	AXIAL	1250	10.9	30	4	180L	91	77	1355	3	655	800	1355	2255	52.5	
	30000	10	AXIAL	1400	9.8	5	6	132S	75	61	1505	3	655	800	1505	2255	52.5
15		AXIAL	1400	9.3	7.5	6	132M	79	65	1505	3	655	800	1505	2255	52.5	
20		AXIAL	1400	9.5	10	6	160M	74	60	1505	3	655	800	1505	2255	52.5	
25		AXIAL	1400	9.6	10	6	160M	84	70	1505	3	655	800	1505	2255	52.5	
30		AXIAL	1400	9.3	10	6	160M	84	70	1505	3	655	800	1505	2255	52.5	
35		AXIAL	1400	9.3	15	6	160L	84	70	1505	3	655	800	1505	2255	52.5	
40		AXIAL	1400	9.6	15	6	160L	86	72	1505	3	655	800	1505	2255	52.5	
45		AXIAL	1400	9.5	15	6	160L	80	66	1505	3	655	800	1505	2255	52.5	
50		AXIAL	1400	9.7	20	6	180L	88	74	1505	3	655	800	1505	2255	52.5	
55		AXIAL	1400	9.3	20	6	180L	88	74	1505	3	655	800	1505	2255	52.5	
60		AXIAL	1400	9.5	25	6	200L	89	75	1505	3	655	800	1505	2255	52.5	
65		AXIAL	1400	9.3	25	4	180M	92	78	1505	3	655	800	1505	2255	52.5	
70		AXIAL	1400	9.5	25	4	180M	92	78	1505	3	655	800	1505	2255	52.5	
75		AXIAL	1400	9.4	25	4	180M	92	78	1505	3	655	800	1505	2255	52.5	

NOTE: ALL TECHNICAL & DIMENSIONS ARE ONLY FOR REFERENCE



TUBE/FIRE/VANE WITH BOTH SIDE SILENCER																	
ALL DIMENSIONS (IN MM)																	
AIR VOLUME (CFM)	STATIC PRESSURE (mmwg)	FAN TYPE	FAN DIA Ø ID	Outlet Vel. (m/s)	MOTOR (HP)	MOTOR POLE	MOTOR FRAME SIZE	dB@3M	dB@3M AFTER BOTH SIDE	Fan ØOD	Thickness of Casing ( N )	Length of Casing ( V )	Length of Silencer ( L )	Silencer ØOD	Total length with one side silencer ( A )	Insulation of Silencer Thickness	
35000	10	AXIAL	1400	10.8	7.5	6	132M	79	65	1505	3	655	800	1505	2255	52.5	
	15	AXIAL	1400	10.7	10	6	160M	80	66	1505	3	655	800	1505	2255	52.5	
	20	AXIAL	1400	10.8	10	6	160M	83	69	1505	3	655	800	1505	2255	52.5	
	25	AXIAL	1400	10.6	10	6	160M	78	64	1505	3	655	800	1505	2255	52.5	
	30	AXIAL	1400	11	15	6	160L	82	68	1505	3	655	800	1505	2255	52.5	
	35	AXIAL	1400	11	15	6	160L	86	72	1505	3	655	800	1505	2255	52.5	
	40	AXIAL	1400	10.9	15	6	160L	87	73	1505	3	655	800	1505	2255	52.5	
	45	AXIAL	1400	10.9	20	6	180L	87	73	1505	3	655	800	1505	2255	52.5	
	50	AXIAL	1400	10.8	20	6	180L	87	73	1505	3	655	800	1505	2255	52.5	
	55	AXIAL	1400	11	30	6	200L	88	74	1505	3	655	800	1505	2255	52.5	
	60	AXIAL	1400	9.5	25	6	180L	89	75	1505	3	655	800	1505	2255	52.5	
	65	AXIAL	1400	10.9	25	4	180M	84	70	1505	3	655	800	1505	2255	52.5	
	70	AXIAL	1400	11.3	30	4	180L	86	72	1505	3	655	800	1505	2255	52.5	
	75	AXIAL	1400	11.5	40	4	200L	94	80	1505	3	655	800	1505	2255	52.5	
	80	AXIAL	1400	11.2	40	4	200L	94	80	1505	3	655	800	1505	2255	52.5	
	40000	10	AXIAL	1400	12.6	7.5	6	160M	73	59	1505	3	655	800	1505	2255	52.5
15		AXIAL	1400	12.4	15	4	160M	87	73	1505	3	655	800	1505	2255	52.5	
20		AXIAL	1400	12.3	10	6	160M	77	63	1505	3	655	800	1505	2255	52.5	
25		AXIAL	1400	12.3	10	6	160M	82	68	1505	3	655	800	1505	2255	52.5	
30		AXIAL	1400	12.5	15	6	160L	83	69	1505	3	655	800	1505	2255	52.5	
35		AXIAL	1400	12.5	20	6	180L	87	73	1505	3	655	800	1505	2255	52.5	
40		AXIAL	1400	12.3	20	6	180L	87	73	1505	3	655	800	1505	2255	52.5	
45		AXIAL	1400	12.3	20	6	180L	87	73	1505	3	655	800	1505	2255	52.5	
50		AXIAL	1400	12.8	30	6	200L	86	72	1505	3	655	800	1505	2255	52.5	
55		AXIAL	1400	12.4	30	6	200L	86	72	1505	3	655	800	1505	2255	52.5	
60		AXIAL	1400	12.8	30	6	200L	90	76	1505	3	655	800	1505	2255	52.5	
65		AXIAL	1400	12.5	30	6	200L	90	76	1505	3	655	800	1505	2255	52.5	
70		AXIAL	1400	12.8	40	4	200L	94	80	1505	3	655	800	1505	2255	52.5	
75		AXIAL	1400	12.5	40	4	200L	94	80	1505	3	655	800	1505	2255	52.5	
80		AXIAL	1400	12.2	40	4	200L	94	80	1505	3	655	800	1505	2255	52.5	
45000		10	AXIAL	1400	13.9	10	6	160M	82	68	1505	3	655	800	1505	2255	52.5
	15	AXIAL	1400	14	15	6	160L	81	67	1505	3	655	800	1505	2255	52.5	
	20	AXIAL	1400	13.8	15	6	160L	85	71	1505	3	655	800	1505	2255	52.5	
	25	AXIAL	1400	14	15	6	160L	82	68	1505	3	655	800	1505	2255	52.5	
	30	AXIAL	1400	13.9	20	6	180L	86	72	1505	3	655	800	1505	2255	52.5	
	35	AXIAL	1400	13.9	20	6	180L	83	69	1505	3	655	800	1505	2255	52.5	
	45	AXIAL	1400	13.8	30	6	200L	90	76	1505	3	655	800	1505	2255	52.5	
	50	AXIAL	1400	14	30	6	200L	84	70	1505	3	655	800	1505	2255	52.5	
	55	AXIAL	1400	14	30	6	200L	84	70	1505	3	655	800	1505	2255	52.5	
	60	AXIAL	1400	13.8	30	6	200L	84	70	1505	3	655	800	1505	2255	52.5	
	65	AXIAL	1400	13.6	40	4	200L	93	79	1505	3	655	800	1505	2255	52.5	
	70	AXIAL	1400	14.2	50	4	225S	93	79	1505	3	655	800	1505	2255	52.5	
	75	AXIAL	1400	14	50	4	225S	93	79	1505	3	655	800	1505	2255	52.5	
	80	AXIAL	1400	13.8	50	4	225S	93	79	1505	3	655	800	1505	2255	52.5	
	50000	10	AXIAL	1600	12.2	15	6	160L	78	64	1705	3	655	800	1705	2255	52.5
		15	AXIAL	1600	12.5	15	6	160L	85	71	1705	3	655	800	1705	2255	52.5
20		AXIAL	1600	11.9	15	6	160L	79	65	1705	3	655	800	1705	2255	52.5	
25		AXIAL	1600	11.8	20	6	180L	83	69	1705	3	655	800	1705	2255	52.5	
30		AXIAL	1600	11.8	30	6	200L	84	70	1705	3	655	800	1705	2255	52.5	
35		AXIAL	1600	12.6	30	6	200L	89	75	1705	3	655	800	1705	2255	52.5	
40		AXIAL	1600	12.2	30	6	200L	89	75	1705	3	655	800	1705	2255	52.5	
45		AXIAL	1600	11.75	30	6	200L	89	75	1705	3	655	800	1705	2255	52.5	
50		AXIAL	1600	12.5	40	6	225M	89	75	1705	3	655	800	1705	2255	52.5	
55		AXIAL	1600	12	40	6	225M	90	76	1705	3	655	800	1705	2255	52.5	
60		AXIAL	1600	11.8	40	6	225M	90	76	1705	3	655	800	1705	2255	52.5	
65		AXIAL	1600	12.2	40	6	225M	89	75	1705	3	655	800	1705	2255	52.5	
70		AXIAL	1600	11.7	40	6	225M	91	77	1705	3	655	800	1705	2255	52.5	

NOTE: ALL TECHNICAL & DIMENSIONS ARE ONLY FOR REFERENCE



TUBE/FIRE/VANE WITH BOTH SIDE SILENCER																	
ALL DIMENSIONS (IN MM)																	
AIR VOLUME (CFM)	STATIC PRESSURE (mmwg)	FAN TYPE	FAN DIA Ø ID	Outlet Vel. (m/s)	MOTOR (HP)	MOTOR POLE	MOTOR FRAME SIZE	dB@3M	dB@3M AFTER BOTH SIDE	Fan ØOD	Thickness of Casing ( N )	Length of Casing ( V )	Length of Silencer (L)	Silencer ØOD	Total length with one side silencer (A)	Insulation of Silencer Thickness	
55000	10	AXIAL	1600	13	15	6	160L	82	68	1705	3	655	800	1705	2255	52.5	
	15	AXIAL	1600	13.1	15	6	160L	79	65	1705	3	655	800	1705	2255	52.5	
	25	AXIAL	1600	13	20	6	180L	83	69	1705	3	655	800	1705	2255	52.5	
	30	AXIAL	1600	13.4	30	6	200L	86	72	1705	3	655	800	1705	2255	52.5	
	35	AXIAL	1600	13.2	30	6	200L	88	74	1705	3	655	800	1705	2255	52.5	
	40	AXIAL	1600	13.3	30	6	200L	90	76	1705	3	655	800	1705	2255	52.5	
	45	AXIAL	1600	13	30	6	200L	90	76	1705	3	655	800	1705	2255	52.5	
	50	AXIAL	1600	13.2	40	6	225M	87	73	1705	3	655	800	1705	2255	52.5	
	55	AXIAL	1600	13.5	40	6	225M	89	75	1705	3	655	800	1705	2255	52.5	
	60	AXIAL	1600	13.2	40	6	225M	89	75	1705	3	655	800	1705	2255	52.5	
	65	AXIAL	1600	13.1	40	6	225M	90	76	1705	3	655	800	1705	2255	52.5	
	70	AXIAL	1600	13	50	6	250M	90	76	1705	3	655	800	1705	2255	52.5	
60000	10	AXIAL	1600	14.3	15	6	160L	77	63	1705	3	655	800	1705	2255	52.5	
	15	AXIAL	1600	14.2	20	7	160L	82	68	1705	3	655	800	1705	2255	52.5	
	20	AXIAL	1600	14.2	20	6	180L	82	68	1705	3	655	800	1705	2255	52.5	
	25	AXIAL	1600	14.6	20	6	180L	87	73	1705	3	655	800	1705	2255	52.5	
	30	AXIAL	1600	14.2	30	6	200L	88	74	1705	3	655	800	1705	2255	52.5	
	35	AXIAL	1600	14.6	30	6	200L	88	74	1705	3	655	800	1705	2255	52.5	
	40	AXIAL	1600	14.3	40	6	225M	88	74	1705	3	655	800	1705	2255	52.5	
	45	AXIAL	1600	14.3	40	6	225M	87	73	1705	3	655	800	1705	2255	52.5	
	50	AXIAL	1600	14.2	40	6	225M	88	74	1705	3	655	800	1705	2255	52.5	
	55	AXIAL	1600	14.8	50	6	250M	89	75	1705	3	655	800	1705	2255	52.5	
	60	AXIAL	1600	14.5	50	6	250M	90	76	1705	3	655	800	1705	2255	52.5	
	65	AXIAL	1600	14.2	50	6	250M	90	76	1705	3	655	800	1705	2255	52.5	
70	AXIAL	1600	14.7	60	6	280S	92	78	1705	3	655	800	1705	2255	52.5		

NOTE: ALL TECHNICAL & DIMENSIONS ARE ONLY FOR REFERENCE

# HUMIDIN

## Sales & Marketing Department

North India: ( Ventilation Dept. )  
Phone: +91-9654400710  
Email Id: tc@humidin.com

East India: ( Ventilation Dept. )  
Phone: +91-9654551093  
Email Id: tceast@humidin.com

West India: ( Ventilation Dept. )  
Phone: +91-9654551015  
Email id: tcwest@humidin.com

South India: ( Ventilation Dept. )  
Phone: +91-9654781452  
Email Id: tcsouth@humidin.com

**All India: ( Air Handling Unit Dept. )**  
Phone: +91-9654557807  
Email Id: ahu@humidin.com

After Sales Service Department (24x7)  
Phone: +91-9654452926  
Email Id: service@humidin.com

## COUNTRIES:

### RIYADH:

Email Id: riyadh@humidin.com

### EGYPT:

Email Id: egypt@humidin.com



## HR Department

Phone: +91-7290065533

Email Id: hr@humidin.com

hrmanager@humidin.com

## Finance Department

Phone: +91-9654452925

Email Id: accounts@humidin.com

The intention of this brochure is to introduce you to, and acquaint you with the capabilities of the HUMIDIN organization in the offered product areas. It will not answer all your immediate questions, and indeed, it will no doubt raise others. We welcome your interest in our products and shall be very pleased to provide further information.

## GUARANTEES

HUMIDIN guarantees its products to be free of defects in materials and workmanship for a period of one year from the date of delivery from the factory, provided motors are properly installed with overload protector. Humidin agrees to repair or replace defective parts or part to be returned to the factory, all transportation charges prepaid. Humidin does not guarantee against abrasion, corrosion or erosion. Humidin shall not be held responsible for any charges in connection with the removal or replacement of alleged defective equipment nor for incidental consequential damages

# A.C HUMIDIN AIR SYSTEMS PVT.LTD.

Plot C18, Tronica City Industrial Area  
Loni Dist. -201102